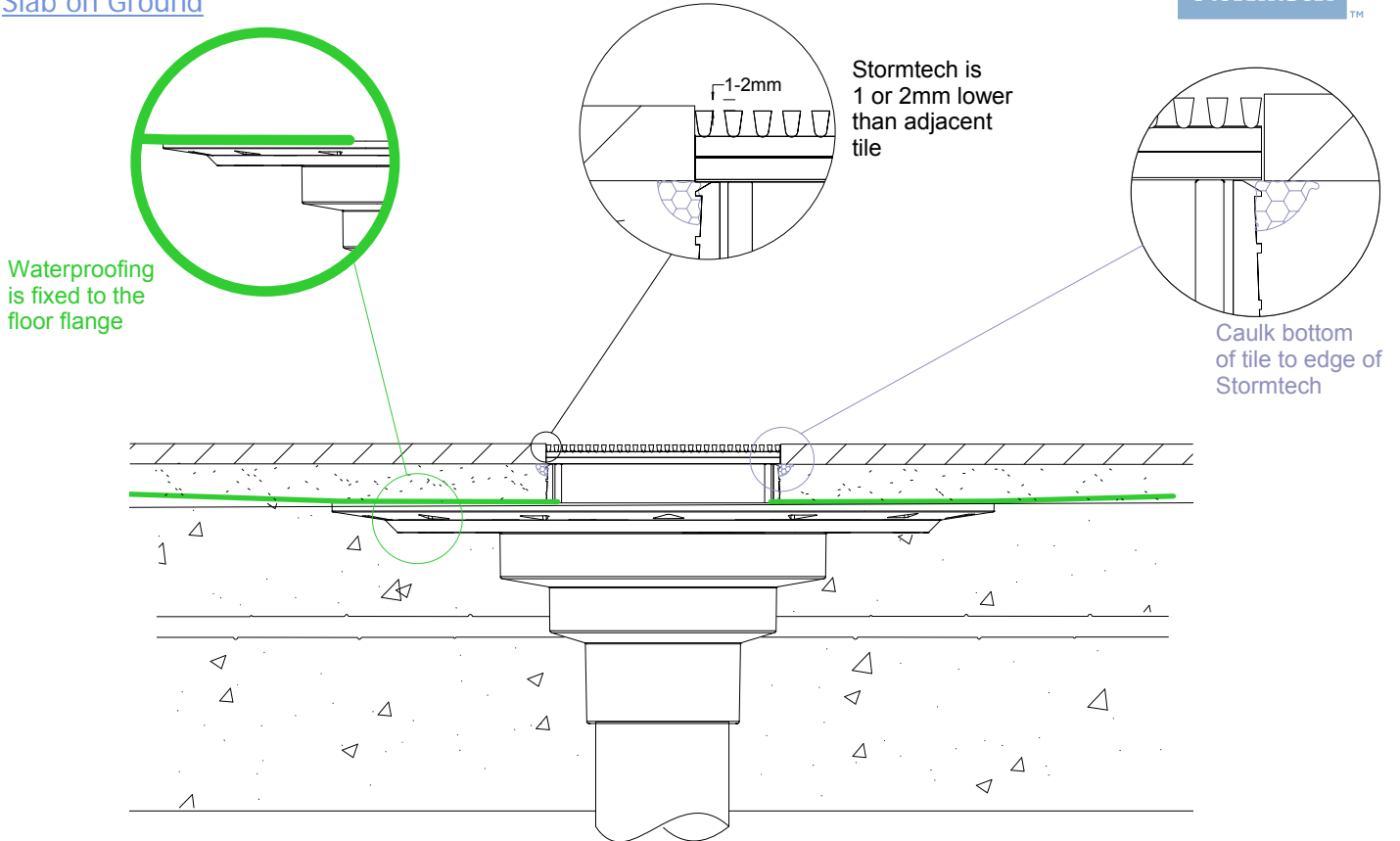


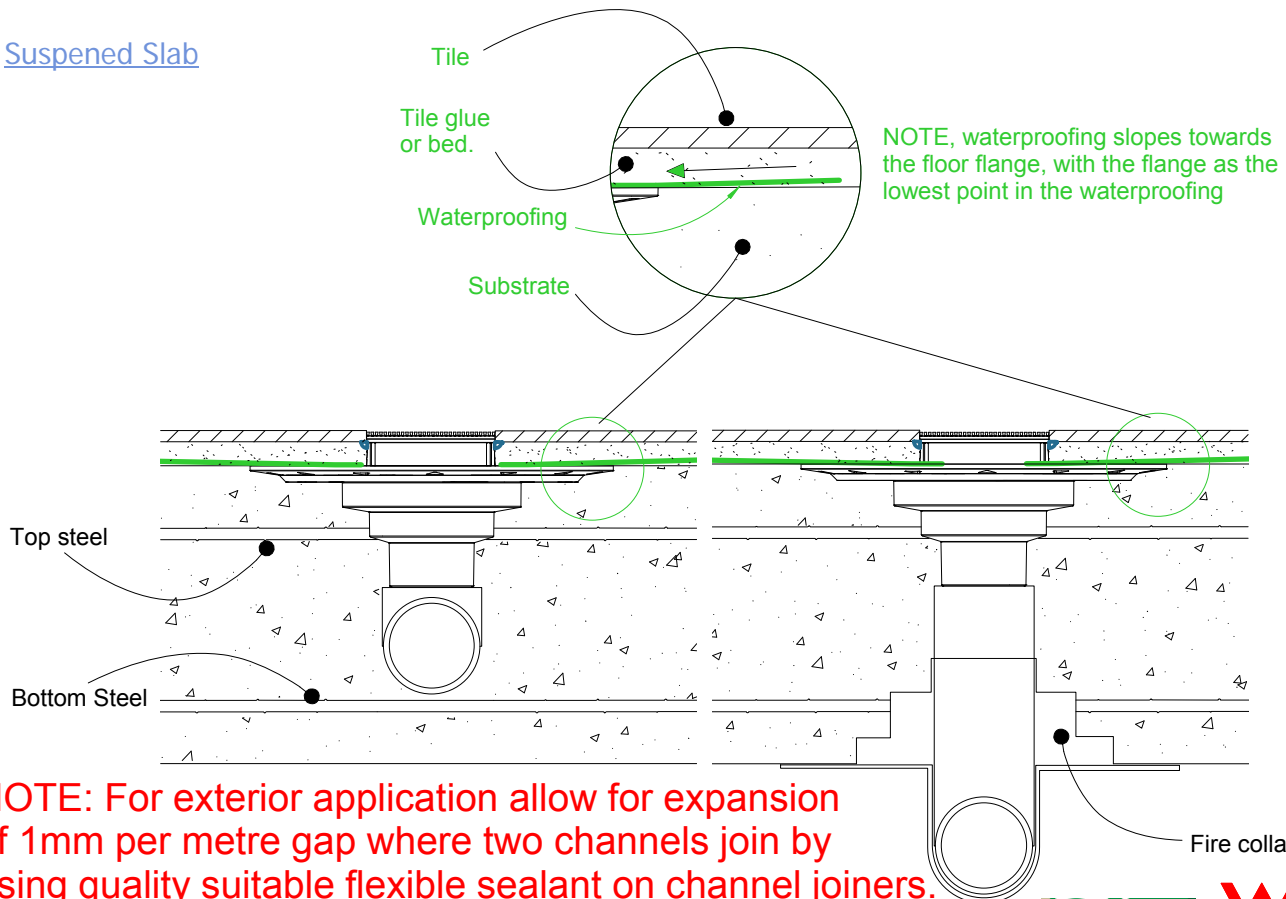
# 100ARG30 Concrete Floor or Deck



## Slab on Ground



## Suspended Slab



**NOTE: For exterior application allow for expansion of 1mm per metre gap where two channels join by using quality suitable flexible sealant on channel joiners. Use PVC primer and solvent cement on ends and outlets.**

