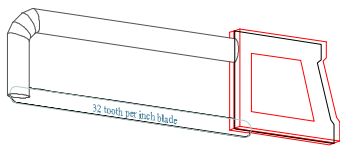
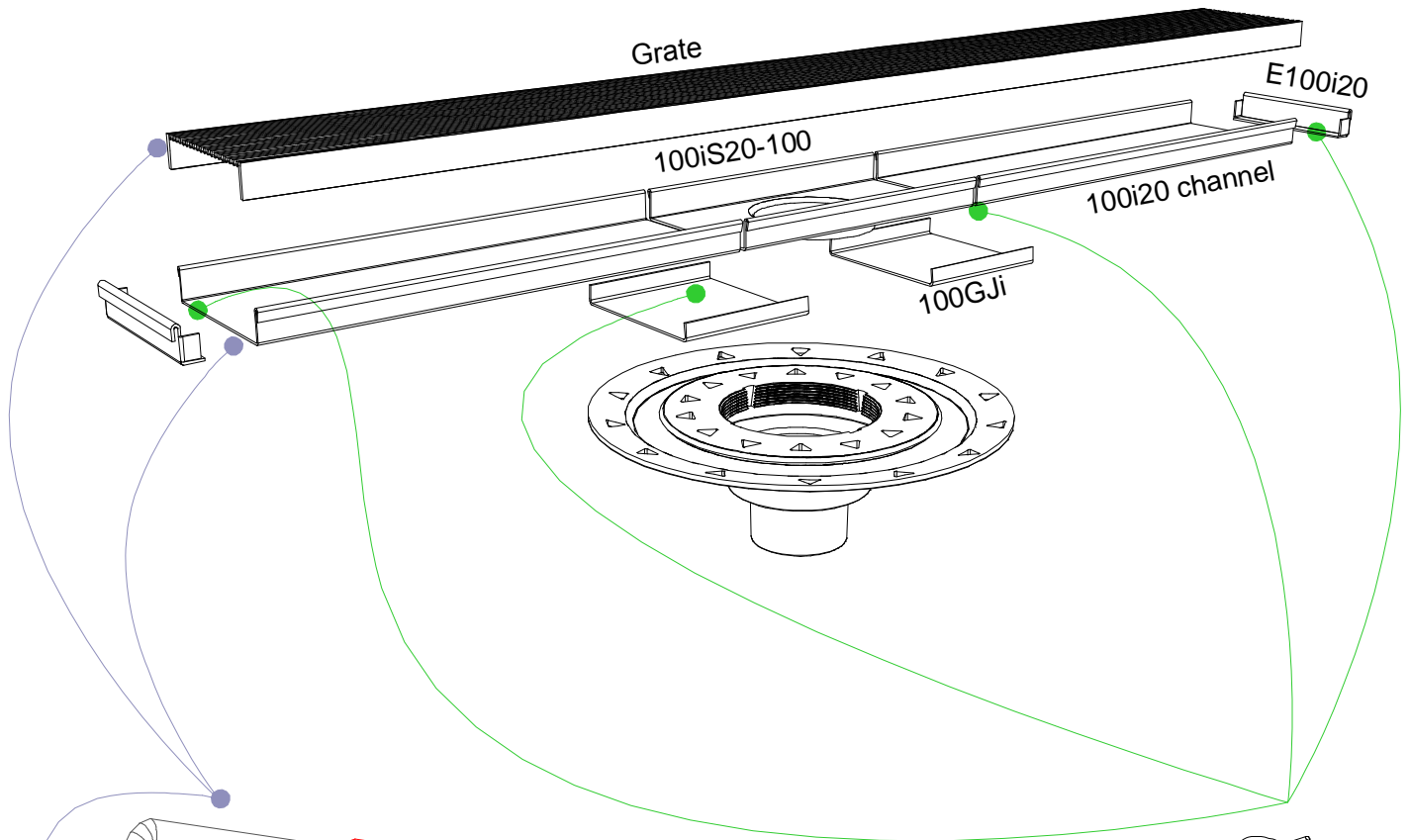
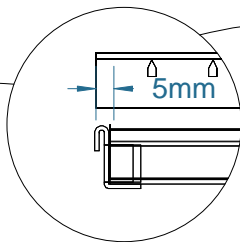
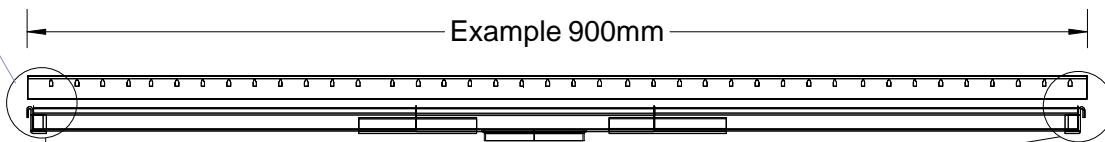
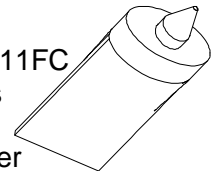


# 100i20 Assembly (Kits over 2m)



Use a hacksaw with 32TPI blade to cut both stainless grate and channel.

Use SikaFlex 11FC to fix the parts together. Use type 215 primer to prepare the surface.



Cut the grate 5mm shorter each side to allow for stop ends.  
Example, if overall length required is 900mm, cut the grate to 890mm.

