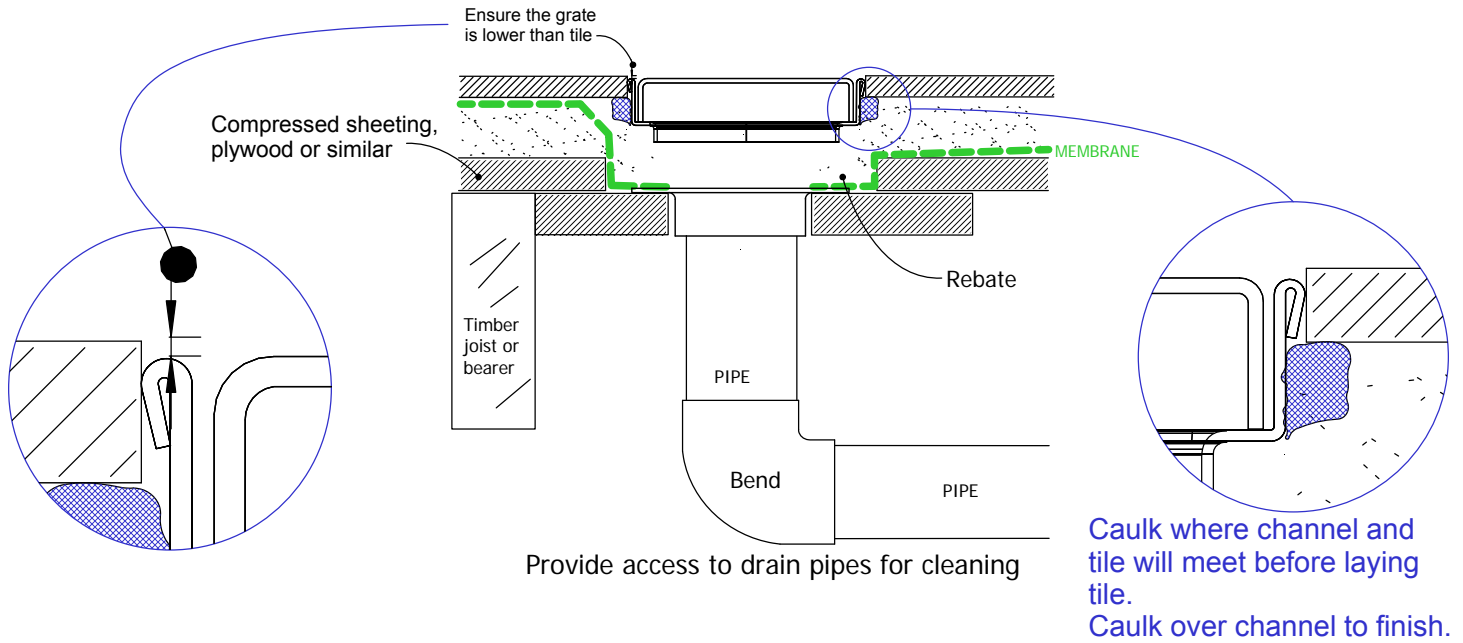


100i20 TIMBER FLOOR/DECK

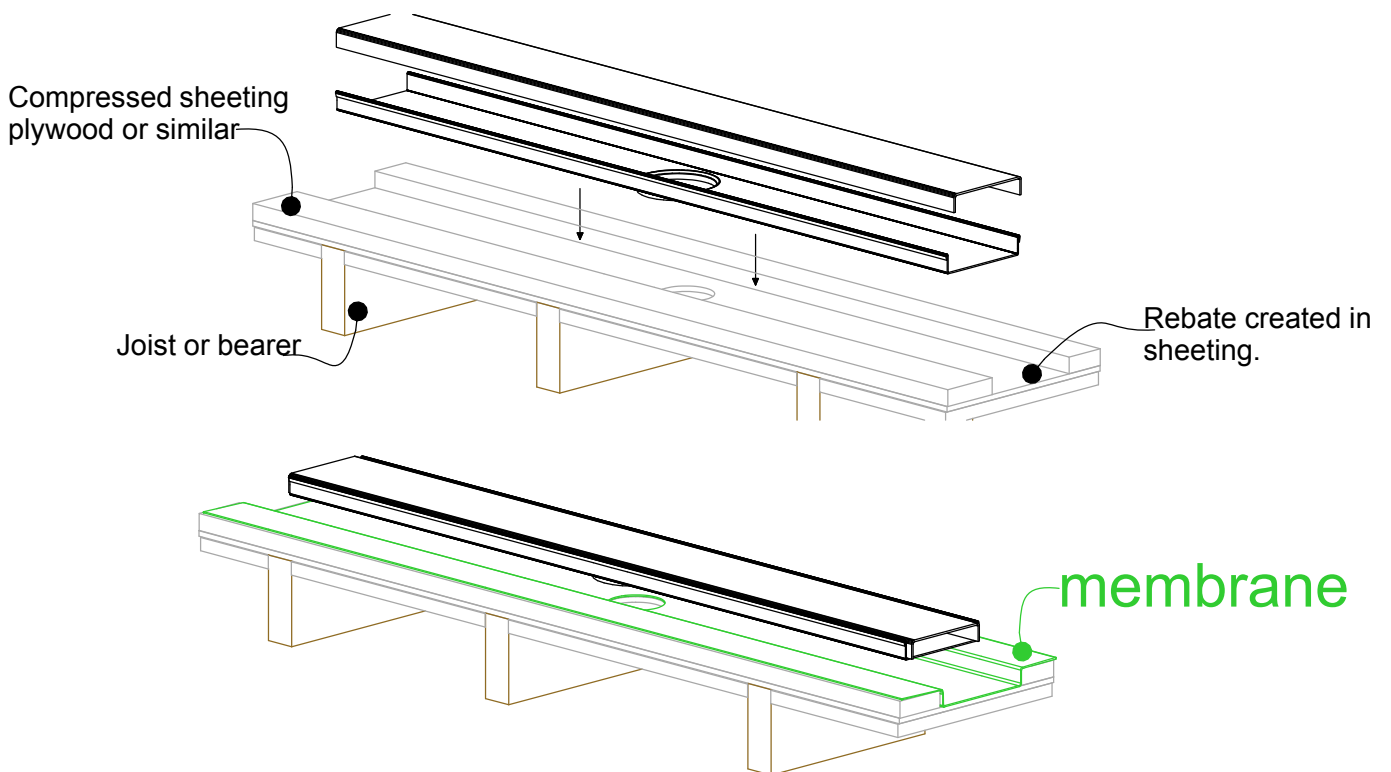
For 100ARi20, 100PSi20,
100TRi20, 100MNDi20.



When 100i20 is running parallel to joist/bearer



When 100i20 is running perpendicular to joist/bearer



NOTE: For exterior application allow for expansion of 1mm per metre by using quality suitable flexible sealant on channel joins.

