

38G90 / 38G100 Corners other than 90 degrees



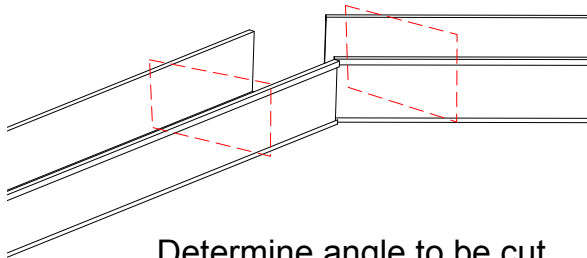
Pipe

The 90mm pipe joins with standard 90mm pipe fittings. There are no 'bell' ends, all ends are straight.

Channel

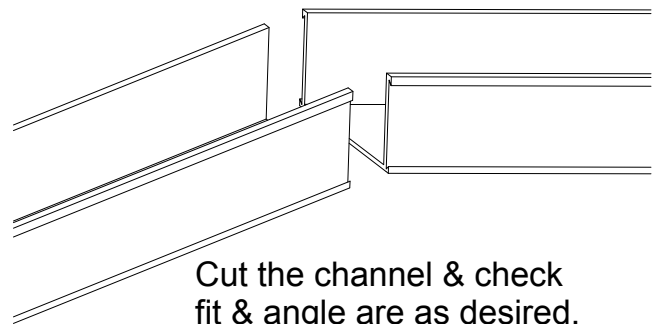
When assembling channel for corners other than 90 degrees, the following fittings and method is suggested.

1



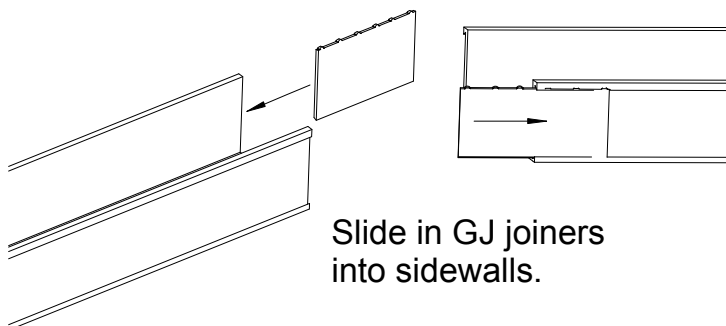
Determine angle to be cut

2



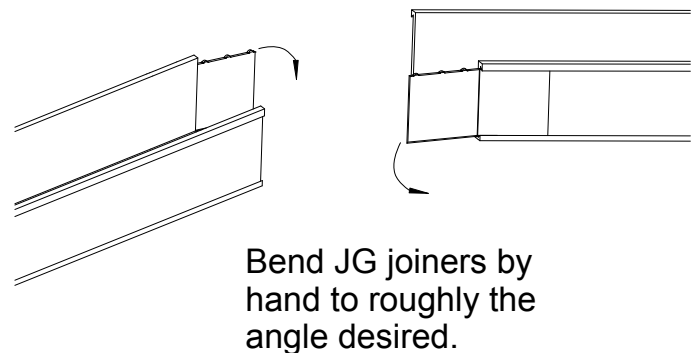
Cut the channel & check fit & angle are as desired.

3



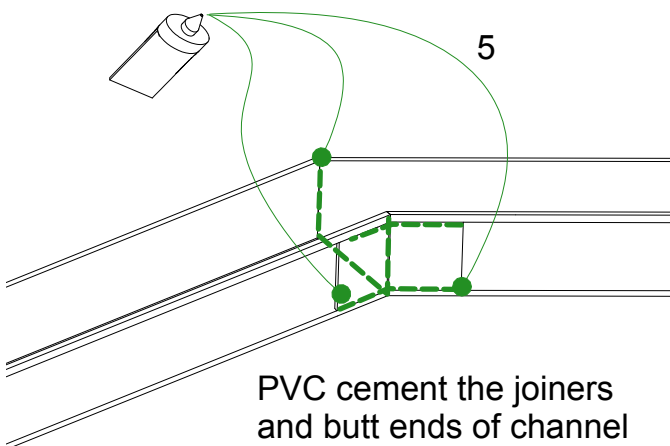
Slide in GJ joiners into sidewalls.

4



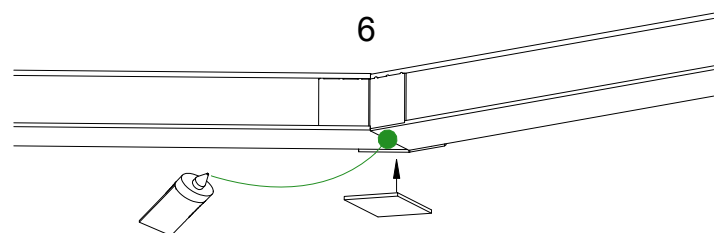
Bend JG joiners by hand to roughly the angle desired.

5



PVC cement the joiners and butt ends of channel together.

6



Fix an off-cut of channel to underside to brace joint. Seal with adhesive sealant if joint is uneven.

