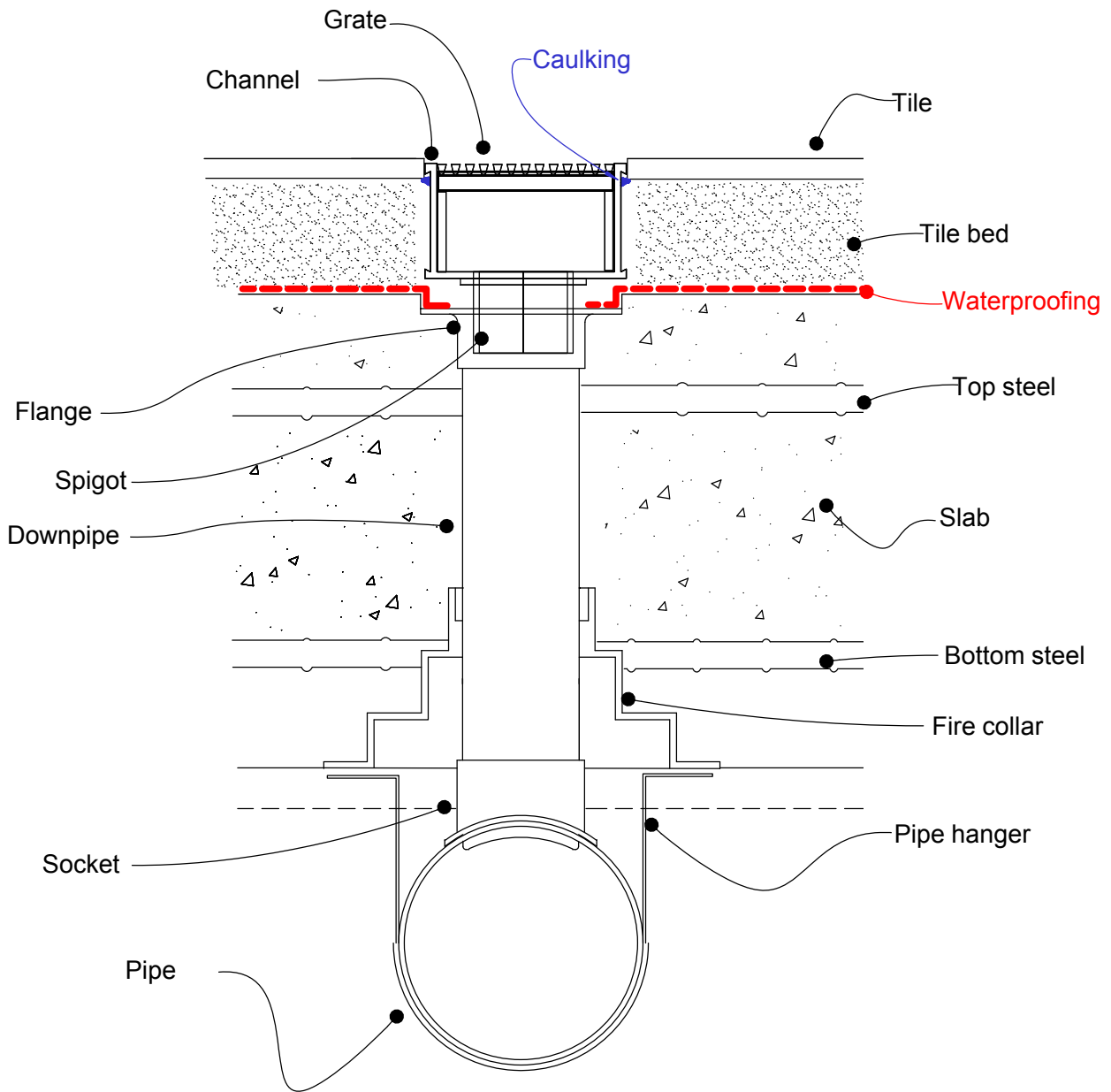


# 65G100 / 65G90 Suspended Slab



When installing the Special Assembly ensure the pipe is secured, typically to reinforcing or formwork. It is suggested to have the grate and channel in place at time of pour to ensure the Spigots line up with the Downpipes.

Typically it is suggested to brace the channel against a timber to ensure it is not moved during concrete pour.

If the grates are in the channel at time of pour, as suggested, then they should be covered to protect them from concrete or other debris entering the channel. Generally joining or duct tape over the grate and channel are sufficient.

Having the grates in the channel ensures the channel is not squashed. If grates are not available use a 65mm wide timber as a temporary insert to reinforce the channel and hold it straight.

Once the pour is complete the channel should be removed for safe keeping, and returned to position once ready for the floor finishing. Stormtech suggests marking or numbering the channels for easy return to position.

