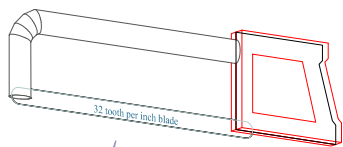
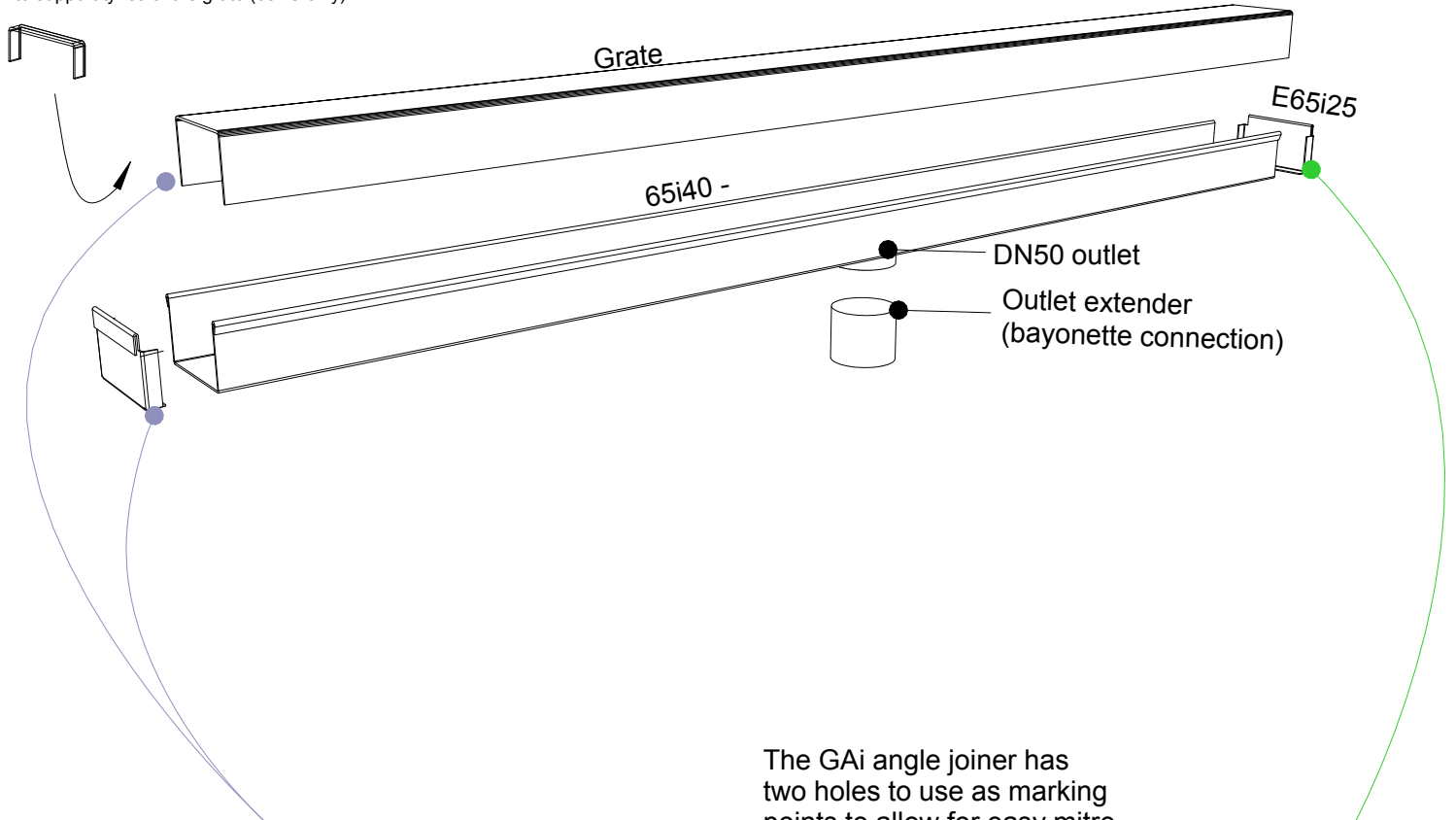


65i40 Assembly (Kits Under 2m)

For 65ARi40, 65PHi40, 65PSi40,
65TRi40

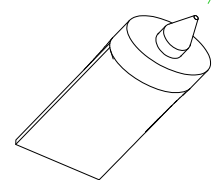
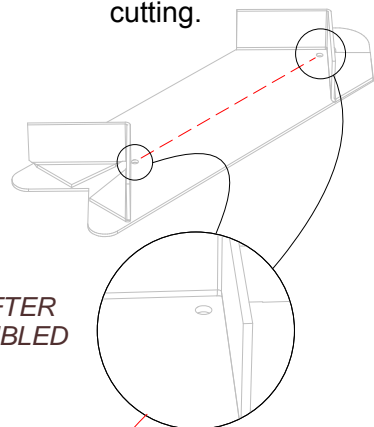


The PSB support fits under the cut grate to support tyne of the grate (65PS only).

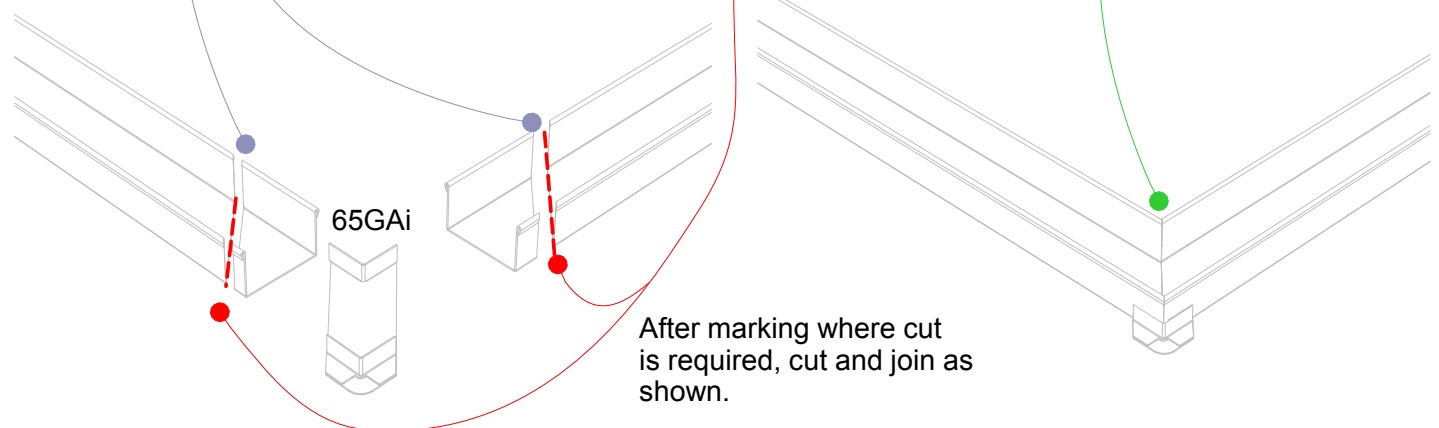


Use a hacksaw with 32TPI blade to cut both stainless grate and stainless channel.
NOTE, cut the GRATE AFTER the CHANNEL is ASSEMBLED to ensure the grate fits correctly.

The GAi angle joiner has two holes to use as marking points to allow for easy mitre cutting.



Use Sika 11FC and primer 210 to seal and adhere the ends and joins



After marking where cut is required, cut and join as shown.