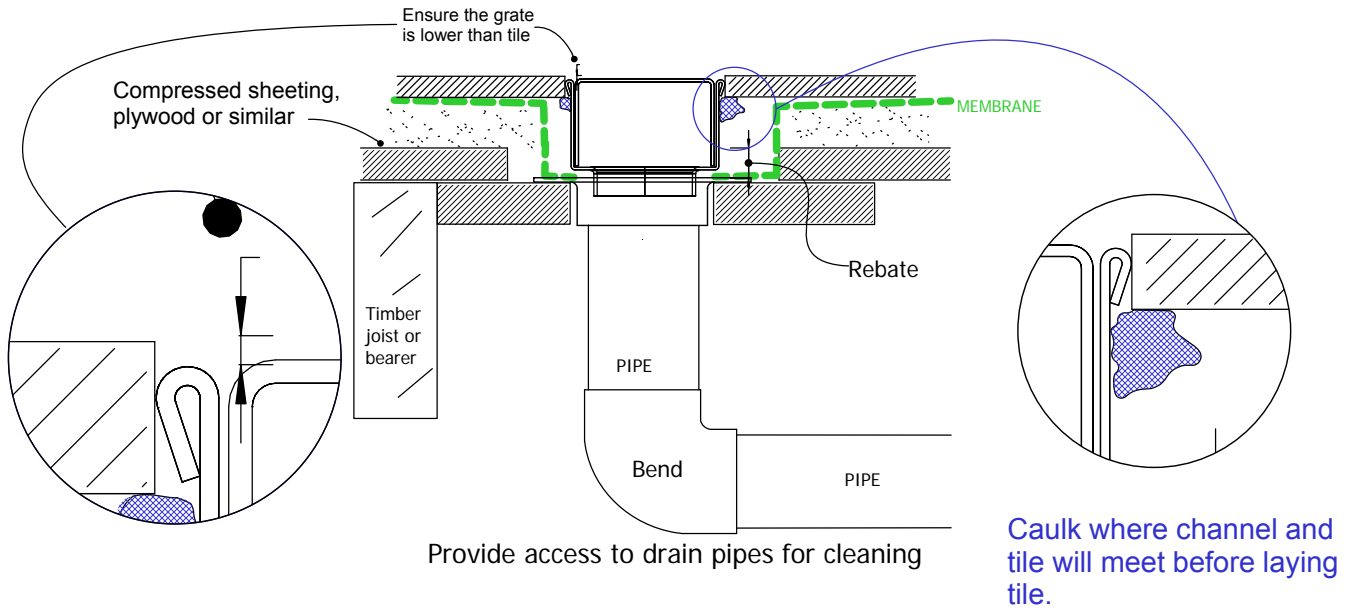


65i40 TIMBER FLOOR/DECK

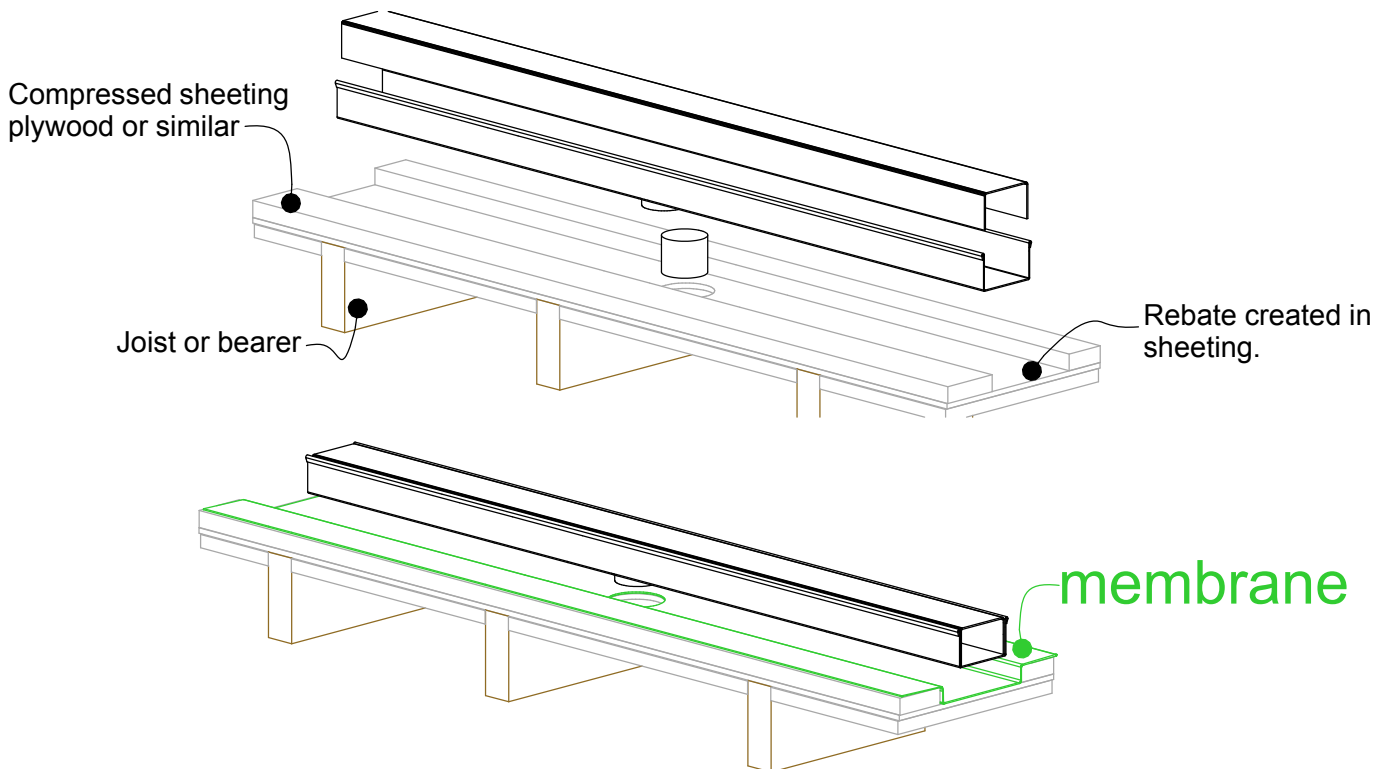
For 65ARi40, 65PHi40, 65PSi40, 65TRi40



When 65i40 is running parallel to joist/bearer



When 65i40 is running perpendicular to joist/bearer



NOTE: For exterior application allow for expansion of 1mm 3 metres by using quality suitable flexible sealant on channel joins.