

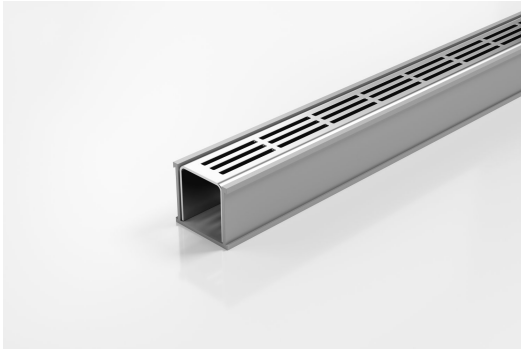


ARCHITECTURAL  
GRATES + DRAINS



# 38PSG40

## Linear Drainage System



**Stainless steel drainage unit with uPVC Channel and Fittings**

The 38PS40 is a Punched Slot grate design.

Manufactured from 316 marine grade the 38PS is 38mm wide and 40mm deep.

Lengths over 3000mm available on request.

**Refer to AS3500 for outlet pipe sizes specific to your installation.**

**Code** 38PSG40

**Range** 38

**Grate Style** PS

**Category** Modular Kits

**Channel Material** uPVC

**Steel Grade** 316

### SPECIFICATIONS + DIMENSIONS

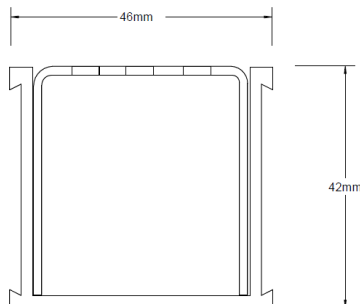
<b>Channel Width</b>	46mm			
<b>Channel Depth</b>	42mm			
<b>Length(s)</b>	900mm	1000mm	1200mm	1500mm
	1800mm	1900mm	2000mm	2200mm
	2400mm	2700mm	3000mm	
<b>Outlet Size</b>	DN40, DN50			

### STORMTECH COLOUR FINISHES



### PRODUCT APPLICATIONS

- |                             |                            |
|-----------------------------|----------------------------|
| Bathroom Drainage           | Hospitality Drainage       |
| Aged / Health Care Drainage | Paved Area Drainage        |
| Balcony Drainage            | Shower Drainage            |
| Commercial Drainage         | Multi-Residential Drainage |
| Courtyard / Patio Drainage  | Special Needs Drainage     |
| Pool and Spa Area Drainage  | Threshold Drainage         |



Copyright © Stormtech Pty Ltd. Patent 733361. Drawings not to scale, please use dimensions shown.



Visit [stormtech.com.au](http://stormtech.com.au)  
for tools + inspiration.

Phone **1300 653 403**

Email [info@stormtech.com.au](mailto:info@stormtech.com.au)