

65Tii40MTL Drainage System

Product Description

The 65Tii40 is a premium tile insert drain suitable for tiles up to 25mm thick.

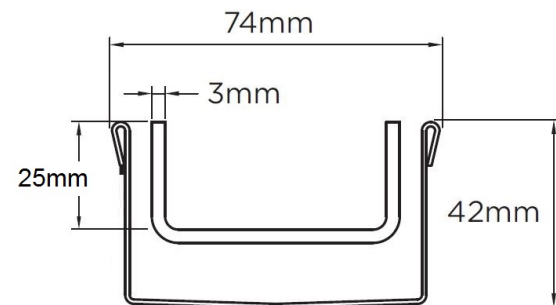
The 65Tii40MTL is made to specific lengths with a customized outlet position along the drain.

The complete drainage unit is full 316 marine grade stainless steel.



Applications

- Balcony
- Bathroom
- Courtyard
- Doortrack
- Patio
- Paved Area
- Pool Area
- Shower
- Special needs
- Wet Area Drainage



Specifications

	Width	Depth	Length	Outlet size
Completed Unit	74mm	42mm	As required	DN40 DN50 DN65

