

# SD90 Slot Drain

## Product Description

The original Slot Drain was developed for outdoor applications with high capacity drainage needs. The SD90 is ideal for stormwater run-off and surface water drainage around driveways, paved areas, sporting areas and garden edges.

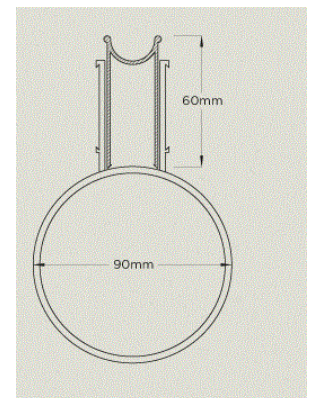
The SD90 features a 25mm opening on the top with 20 slots draining into a concealed 90mm drain pipe. The Slot Drain can be completed with a 30mm wide wedgewire grate as an optional item.



## Applications

- Balcony
- Courtyard / Patio
- Driveway
- Pool and pool surrounds
- Special needs
- Suspended slab
- Wet Area Drainage

## Specifications



	Width	Depth	Length
Unit	25mm	Adjustable	3000mm

