

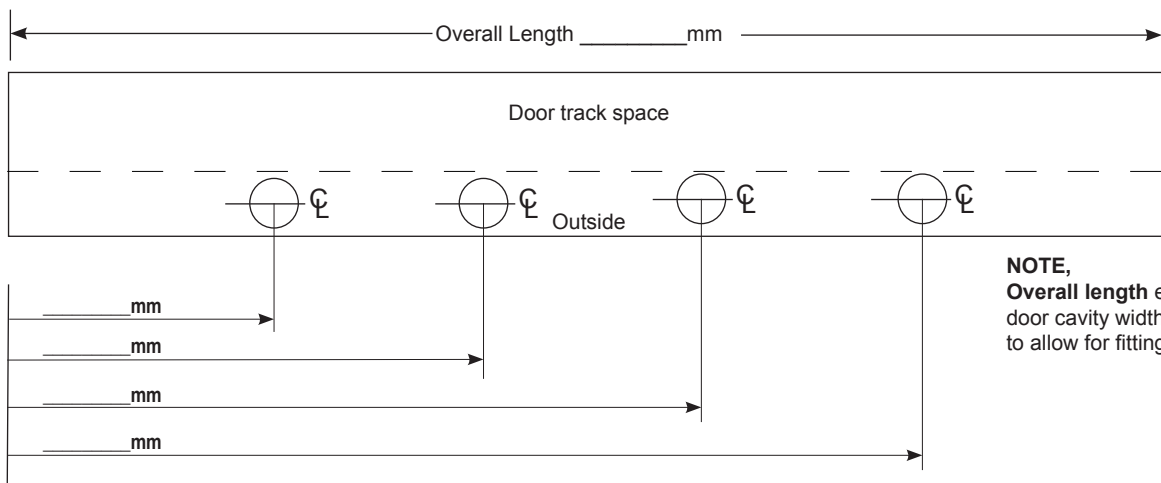
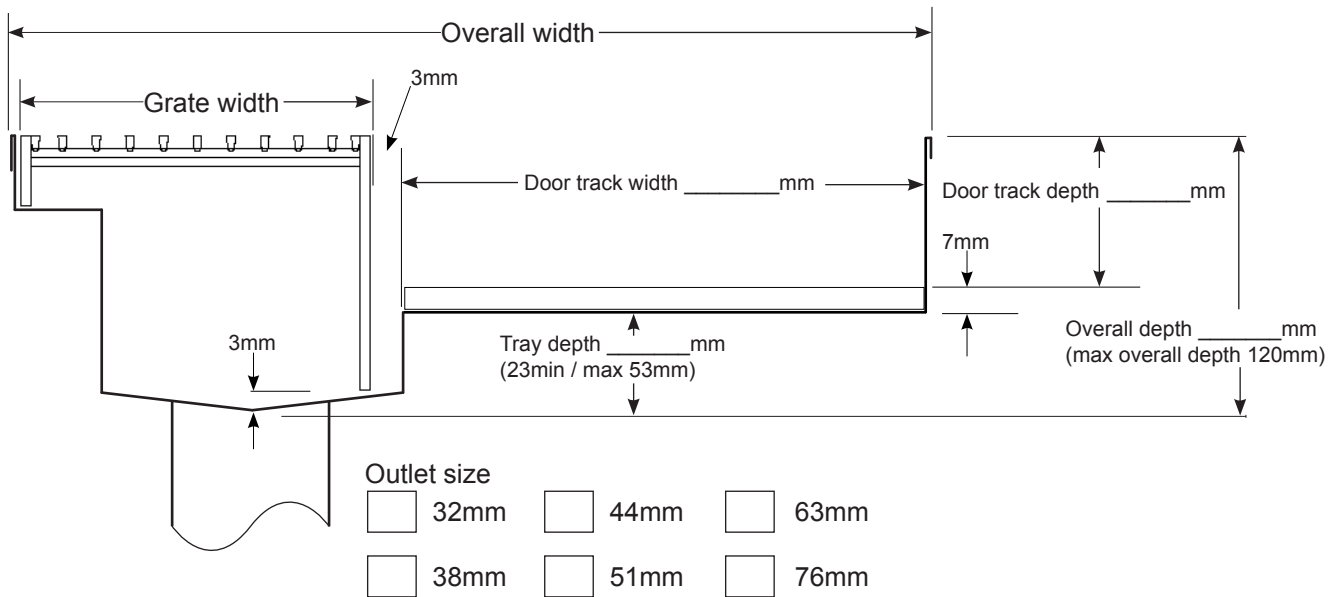
Threshold drain - Standard for sil only

Order Form



Standard grate (TR)

- 65mm Grate Overall width = 76mm + track width
- 100mm Grate Overall width = 111mm + track width



NOTE,
Overall length equals door cavity width minus 4mm to allow for fitting.

Name <input type="text"/>	Email <input type="text"/>	
Customer name/job <input type="text"/>	Branch <input type="text"/>	S/tech quote # <input type="text"/>
Order number <input type="text"/>	Signature & date <input type="text"/>	

Fax to 02 44235552 or email to info@stormtech.com.au

