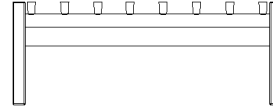
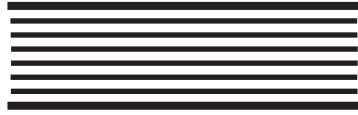


Threshold drain - Standard for Sill + Sub sill Order Form

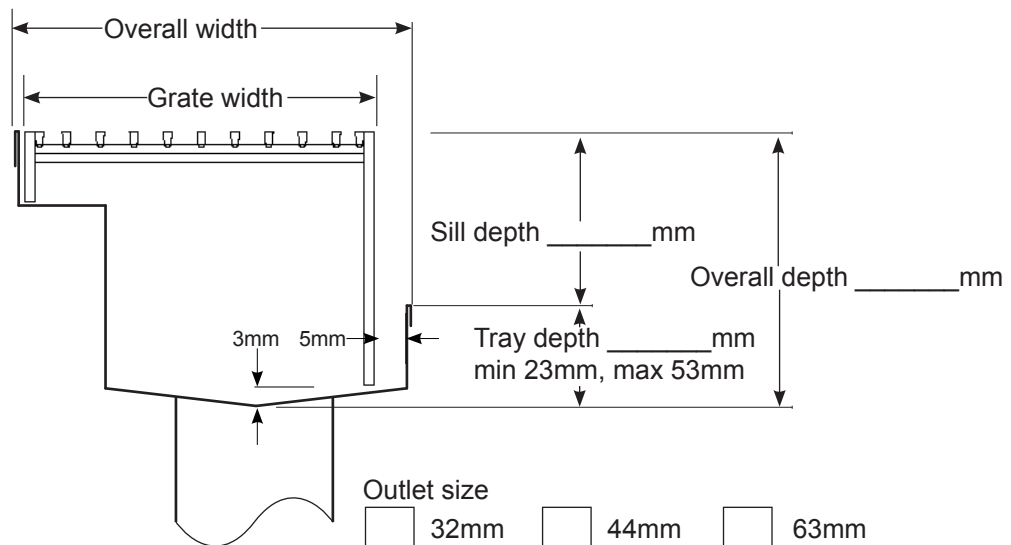


Standard grate (TR)



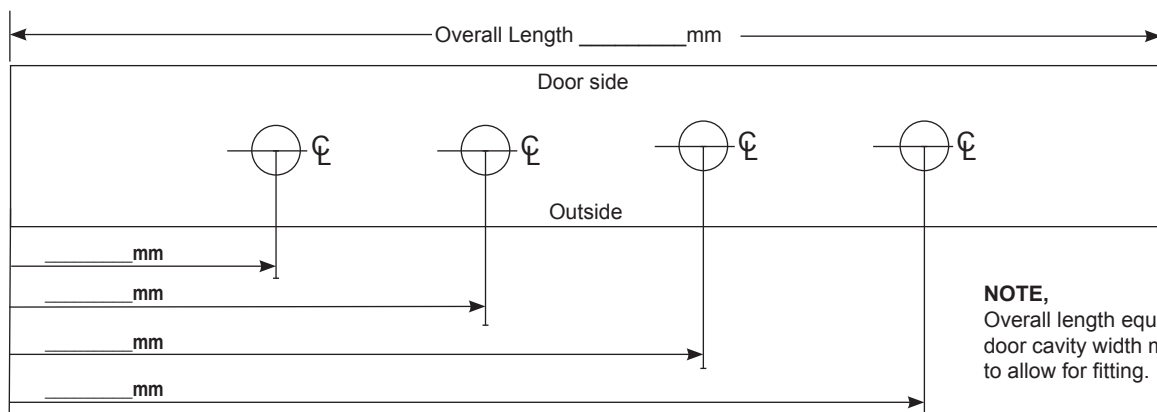
65mm Grate Overall width = 75mm

100mm Grate Overall width = 110mm



Outlet size

- | | | |
|-------------------------------|-------------------------------|-------------------------------|
| <input type="checkbox"/> 32mm | <input type="checkbox"/> 44mm | <input type="checkbox"/> 63mm |
| <input type="checkbox"/> 38mm | <input type="checkbox"/> 51mm | <input type="checkbox"/> 76mm |



NOTE,
Overall length equals door cavity width minus 4mm to allow for fitting.

Name

Email

Customer name/job

Branch

S/tech quote #

Order number

Signature & date

Fax to 02 44235552 or email to info@stormtech.com.au

