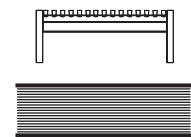


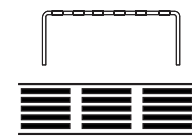
Threshold drain - Bi-fold Top Hung Door

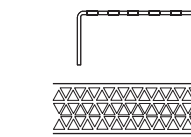
Order Form

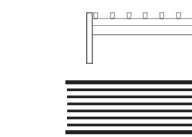


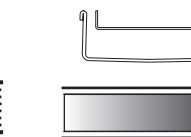
Grates

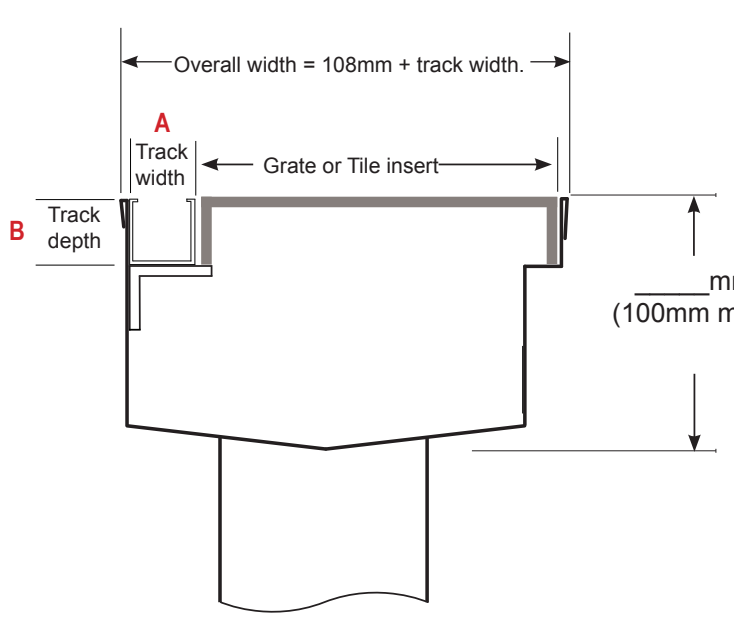

 Architectural (AR)


 Punched Slot (PS)


 Marc Newson (MND)


 Standard grate (TR)


 Ti
Tile Insert



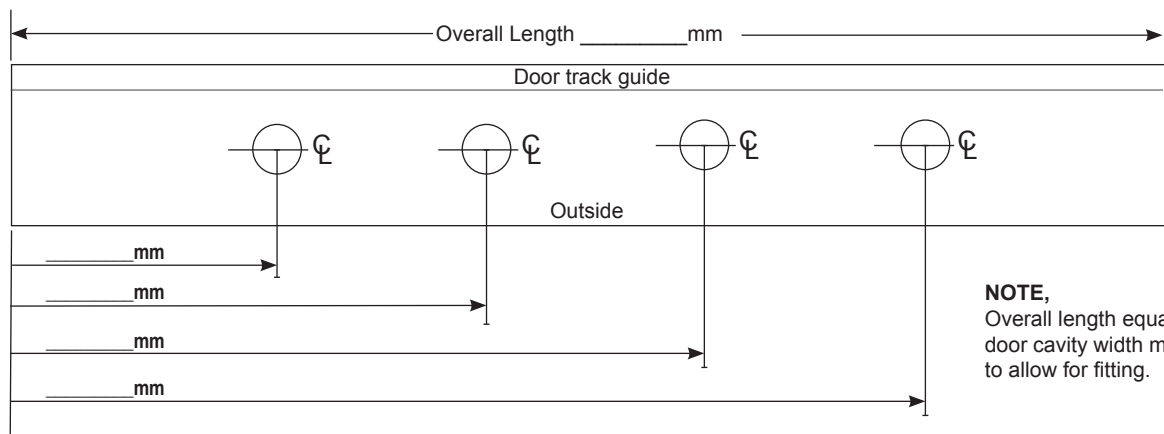
Outlet size

<input type="checkbox"/> 32mm	<input type="checkbox"/> 44mm	<input type="checkbox"/> 63mm
<input type="checkbox"/> 38mm	<input type="checkbox"/> 51mm	<input type="checkbox"/> 76mm
<input type="checkbox"/> 89mm		

A Track width _____ mm

B Track depth _____ mm

Common guide-track information	
Width x depth	Min depth
20 x 22mm	50mm
25 x 25mm	60mm
32 x 32mm	75mm



NOTE,
Overall length equals door cavity width minus 4mm to allow for fitting.

Name	Email
<input style="width: 95%;" type="text"/>	<input style="width: 95%;" type="text"/>
Customer name/job	Branch
<input style="width: 95%;" type="text"/>	<input style="width: 45%;" type="text"/>
	S/tech quote #
	<input style="width: 45%;" type="text"/>
Order number	Signature & date
<input style="width: 95%;" type="text"/>	<input style="width: 95%;" type="text"/>

Fax to 02 44235552 or email to info@stormtech.com.au

