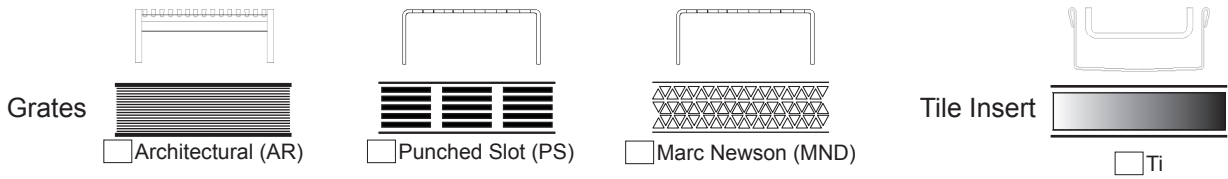
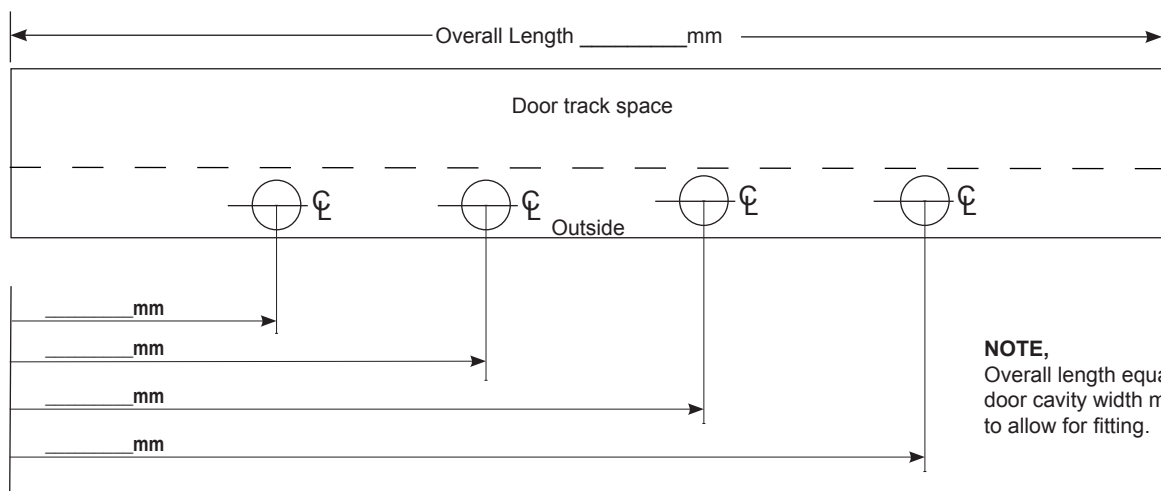
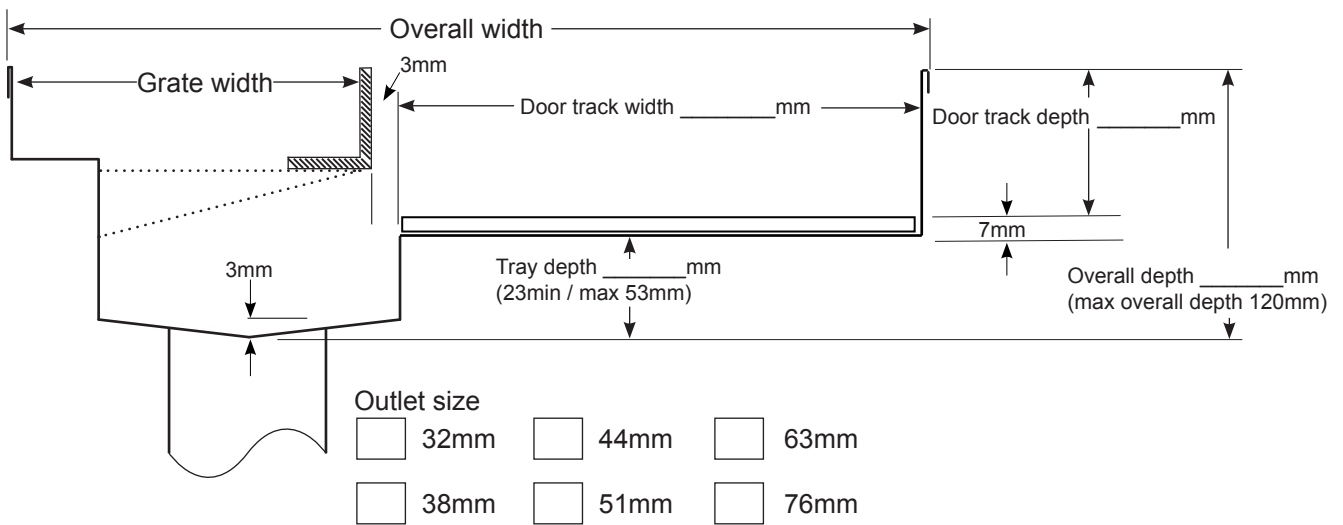


Threshold drain - Premium with Sub-Sill Order Form



- 65mm Tile Insert 65mm Grate Overall width = 80mm + track width.
- 100mm Tile Insert 100mm Grate Overall width = 115mm + track width.



NOTE,
Overall length equals door cavity width minus 4mm to allow for fitting.

Name

Customer name/job

Order number

Email

Branch S/tech quote #

Signature & date

Fax to 02 44235552 or email to info@stormtech.com.au

