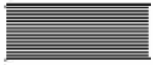


Order and Quote Form

SQ-MTS and Stormtech Pits Custom Square Drainage



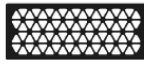
Select Grate Style



AR
Architectural
2mm wire
2.5mm gap



PAS
Punched
Angle Slot



MND
Marc Newson



Ti
Tile Insert

Tile Thickness
*For tile insert
grate style only

Tiles up to 10mm thick

Tiles up to 16mm thick

Tiles up to 20mm thick



TR
Standard
3mm wire
5mm gap



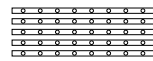
PPS
Punched
Perpendicular
Slot



PS
Punched
Slot



CR
Commercial
5mm wire
5mm gap



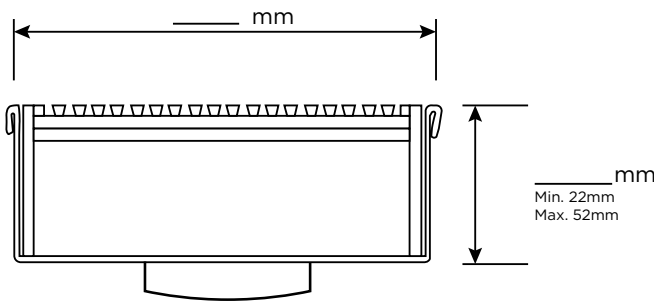
GRATE GRIP
5mm wire
5mm gap
Slip Resistant
Dimple Finish

Please Note:

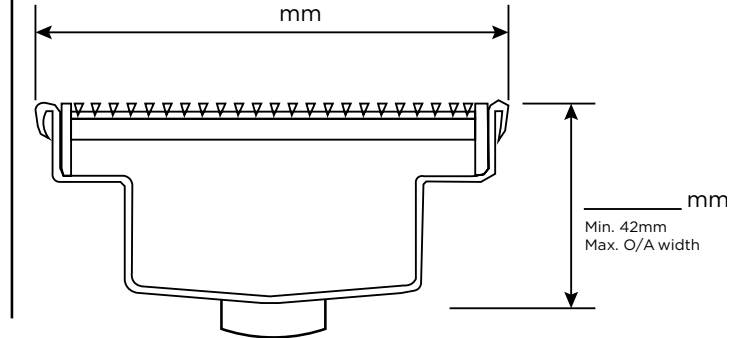
*MND, PPS, PS & PAS grate maximum 110mm wide

Specify profile, width and depth

U Shape Profile

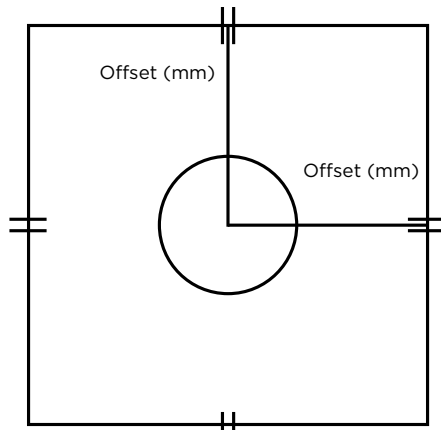


Rebate Profile



Specify outlet position

Top view



Specify grade, load class requirement and outlet size

Stainless Steel Grade	316 Marine Grade (recommended)	304
Load Class	A B C D	
Outlet Size (mm)	38 44 51 63	76 89

Special Finish (Optional, additional costs apply)

Electropolishing (recommended for installation in marine or pool area environments)

Black
Powder Coated

Brass
PVD

Gunmetal Grey
Powder Coated

Bronze
Electroplated

Please Note:

Not all special finishes or load classes are available in every grate style, Stormtech will advise if there is any issue with selected drain configuration.

Copper
Electroplated

Full Name

Email Address

Company Name

Order Number

Stormtech Quote Number

Telephone

Signature