

Order and Quote Form

Made-to-Length Linear Drainage › Multiple Outlet



Select Grate Style

<input type="checkbox"/> AR Architectural 2mm wire 2.5mm gap	<input type="checkbox"/> TR Standard 3mm wire 5mm gap	<input type="checkbox"/> PS Punched Slot	<input type="checkbox"/> MND Marc Newson	<input type="checkbox"/> PAS Punched Angle Slot	<input type="checkbox"/> PPS Punched Perpendicular Slot

Tray Profiles

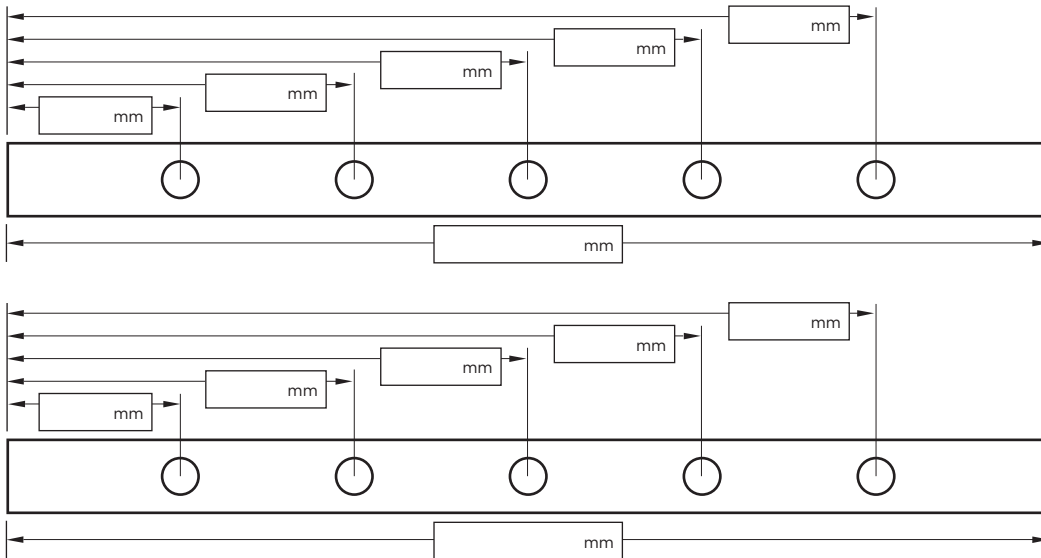
100 Range



65 Range



Specify Length, Outlet Positions/Size and Profile Required



Drain 1

Profile Required

1 2 3 4

Outlet Size

38mm 44mm 51mm
 63mm 76mm 89mm

Drain 2

Profile Required

1 2 3 4

Outlet Size

38mm 44mm 51mm
 63mm 76mm 89mm

NOTE: See AS3500 standard & local regulator for specific outlet/drain requirements. Outlet Size must be smaller than selected Range. MND grate style not available with Profiles 2 or 4. Stainless Steel Grade is 316 unless specified. Made-to-Length (MTL) minimum charge of 800mm. Grates over 1500mm are supplied in multiple sections. Channels over 3000mm are supplied in multiple sections with joiner. Orders received after 11am are processed next working day. +/- 2mm tolerance on dimensions.

Full Name

Company Name

Telephone

Email Address

Order Number

Stormtech Quote Number

Signature