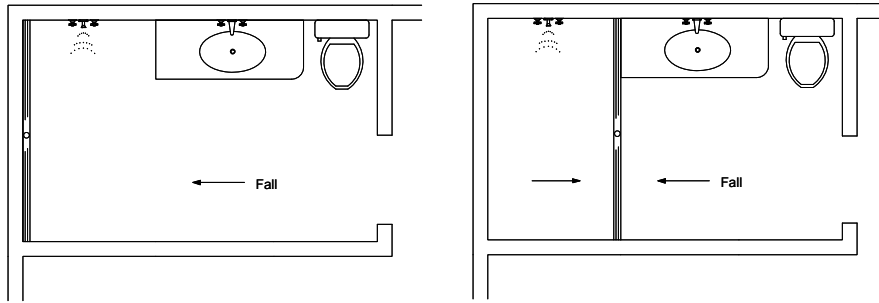


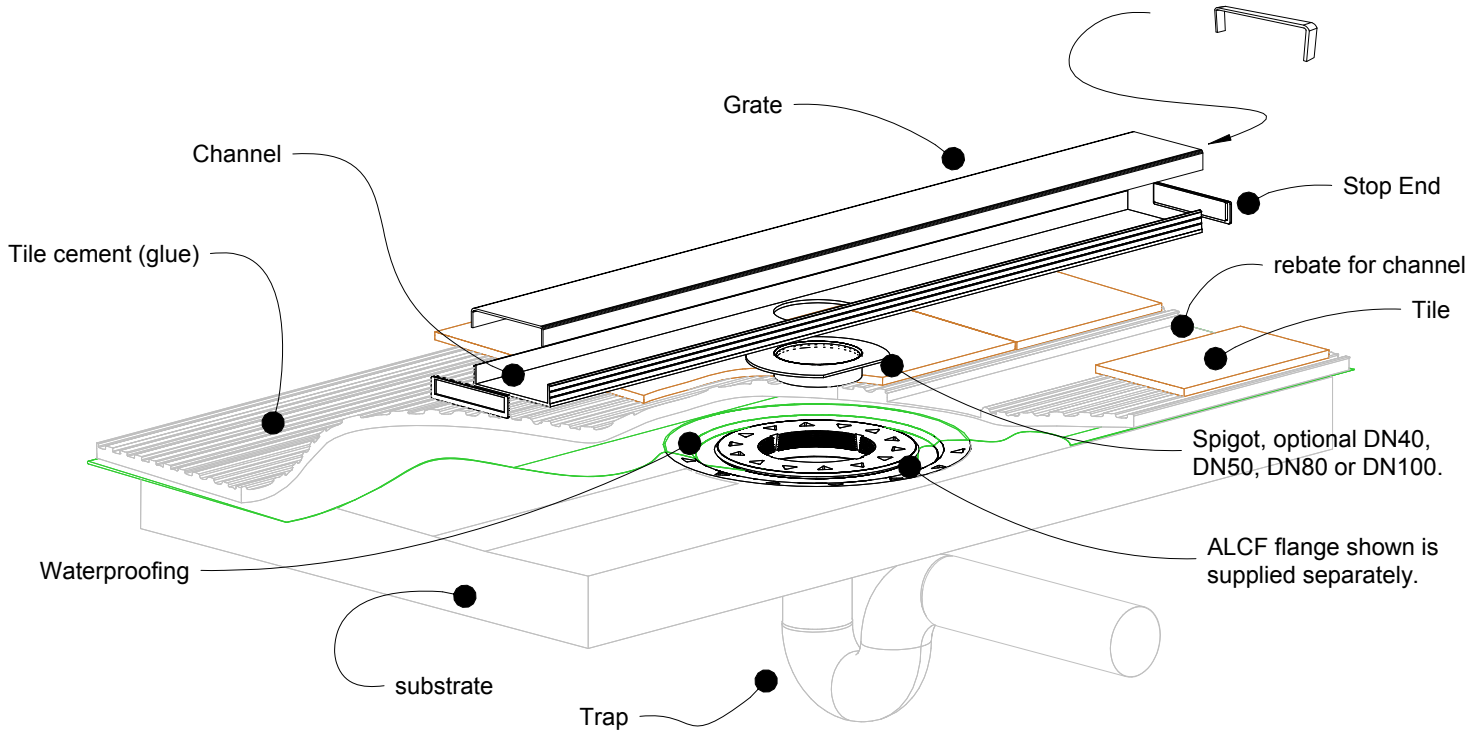
# 100G20 Bathroom

For 100AR20, 100PS20,  
100TR20, 100MND20.



NOTE, ensure pipe sizes and outlet sizes selected are as per requirements in AS3500.

The PSB support fits under the cut grate to support tynes of the grate (100PS only).



NOTE, this method requires the channel system to be ABOVE and SEPARATE from the WATERPROOFING.

