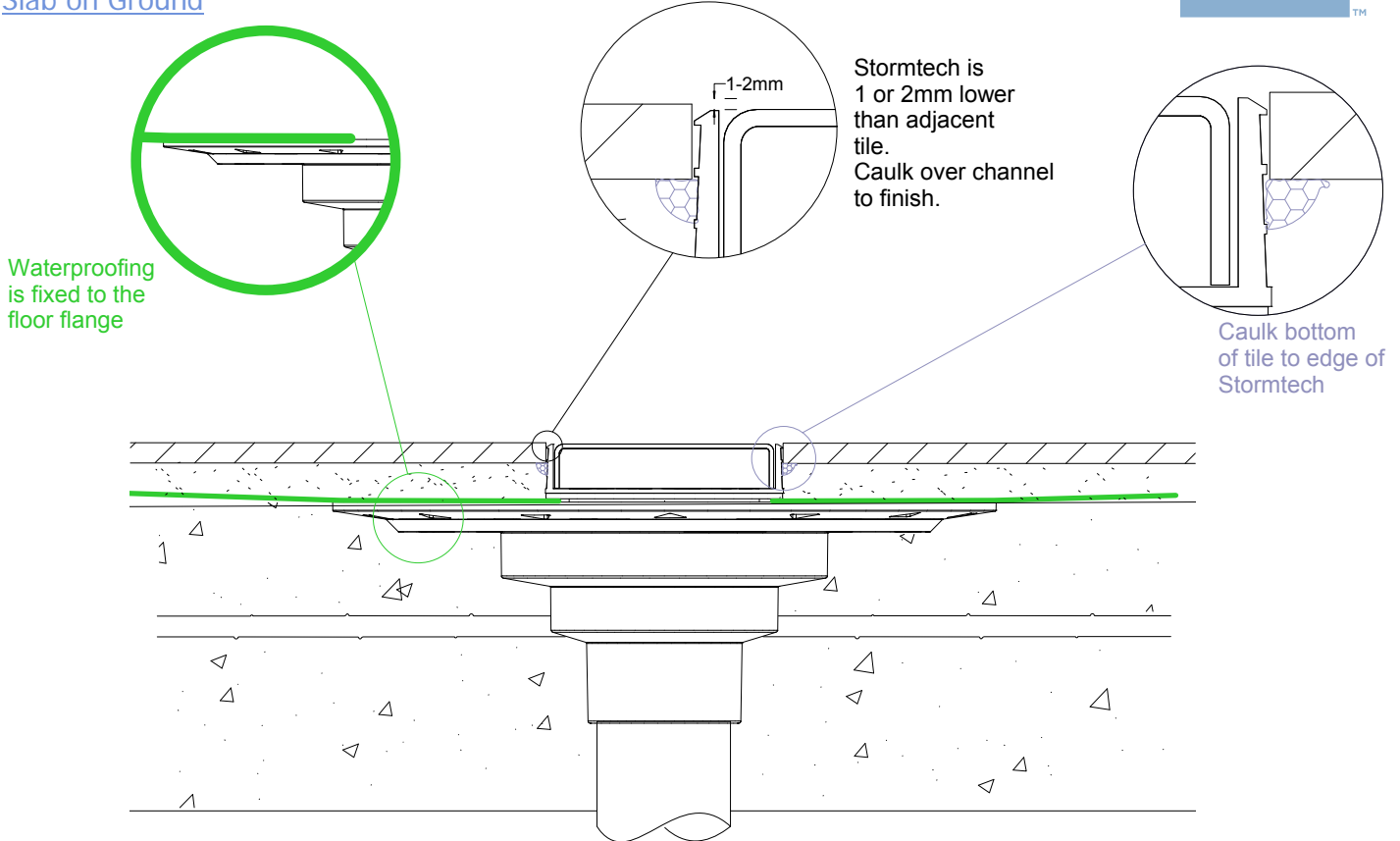


100G20 Concrete Floor or Deck

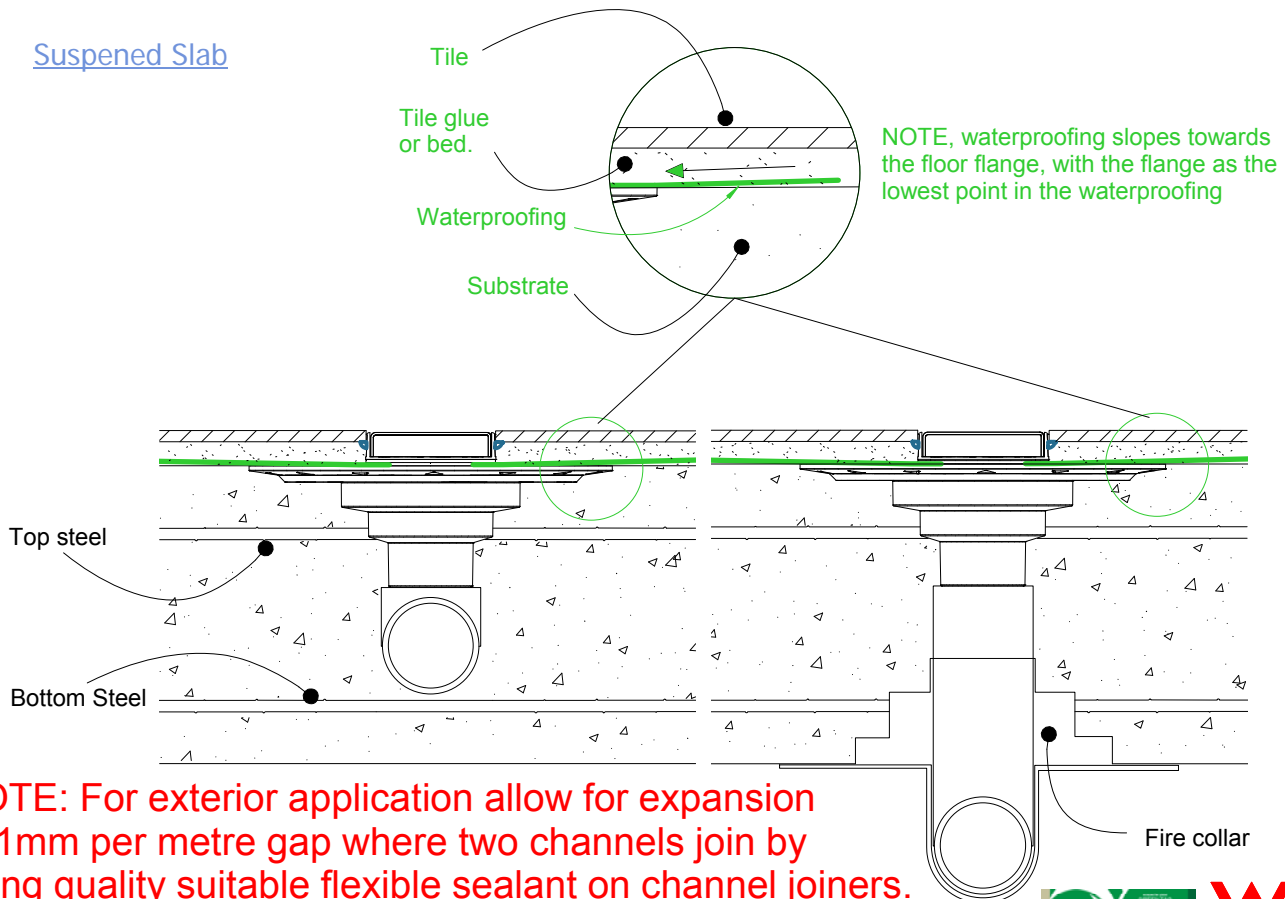
For 100AR20, 100PS20,
100TR20, 100MND20.



Slab on Ground



Suspended Slab



NOTE: For exterior application allow for expansion of 1mm per metre gap where two channels join by using quality suitable flexible sealant on channel joiners. Use PVC solvent cement for ends and outlets.

