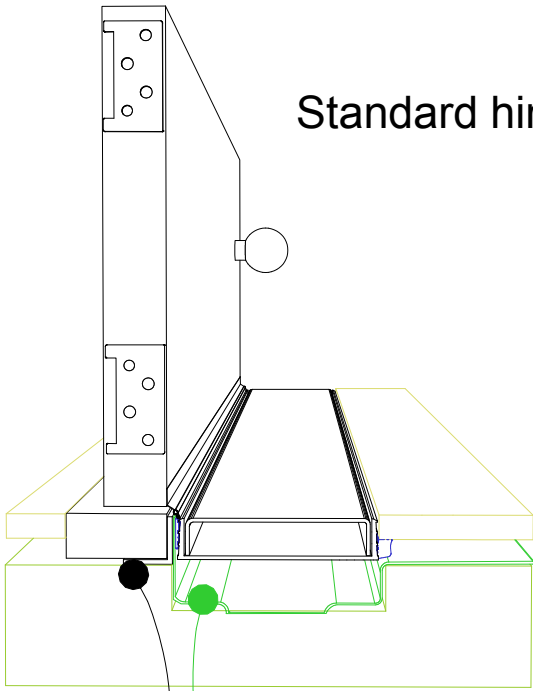


100G20 Threshold installation suggestion

For 100AR20, 100PS20,
100TR20, 100MND20.



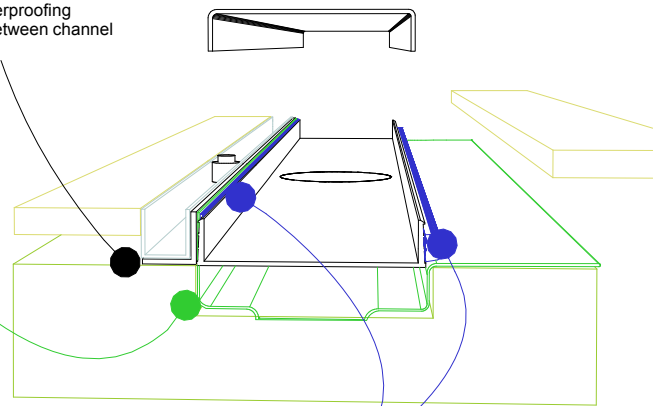
Standard hinged door



Aluminium angle
to support waterproofing
and junction between channel
and door sil.

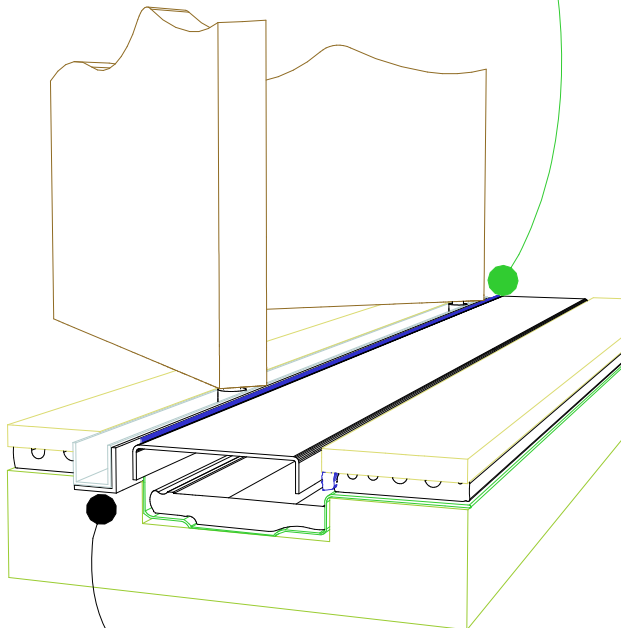
Top hung slider

Aluminium angle
to support waterproofing
and junction between channel
and door track.



Waterproofing

Bi-fold door



Aluminium angle
to support waterproofing
and junction between channel
and door track.

For all types of threshold
installation ensure both sides
of the channel are sealed
before laying tile.

NOTE, ensure weather stip
is used on the appropriate
side of the door to ensure
drafts and moisture are
minimised.

NOTE, ALWAYS ensure the
waterproofing is completed
before laying the Stormtech.

