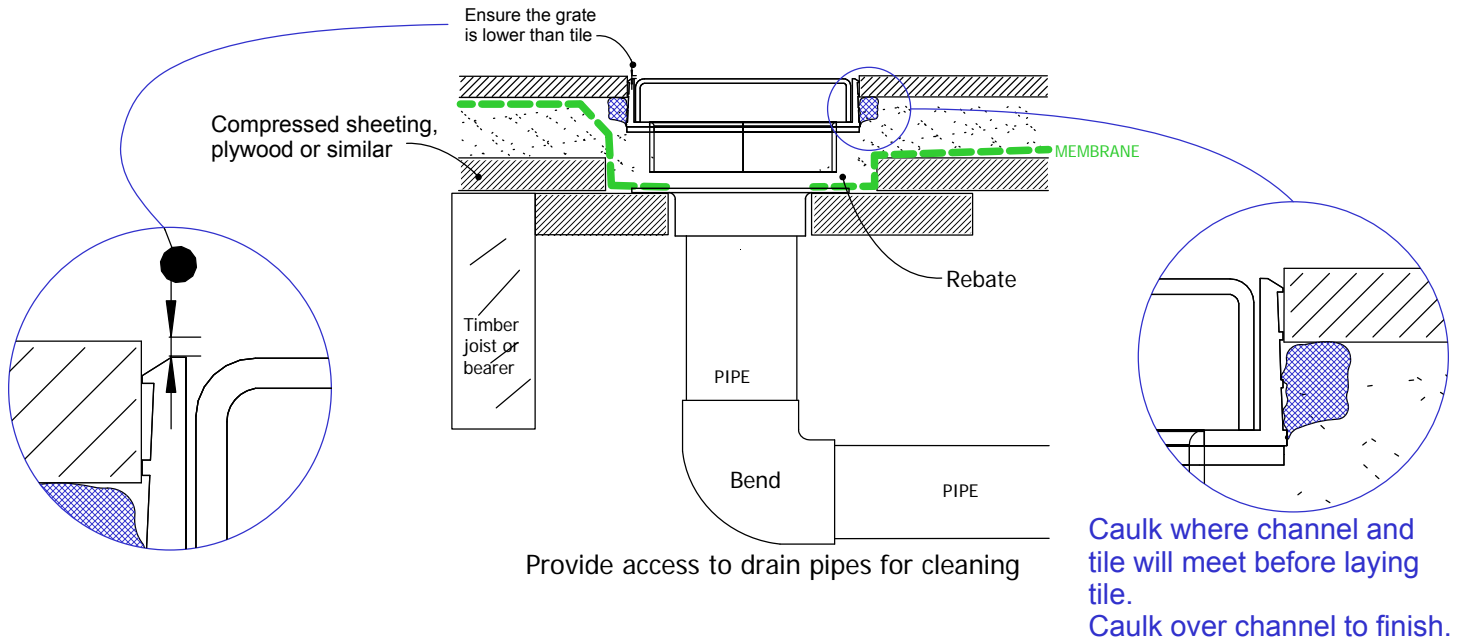


# 100G20 TIMBER FLOOR/DECK

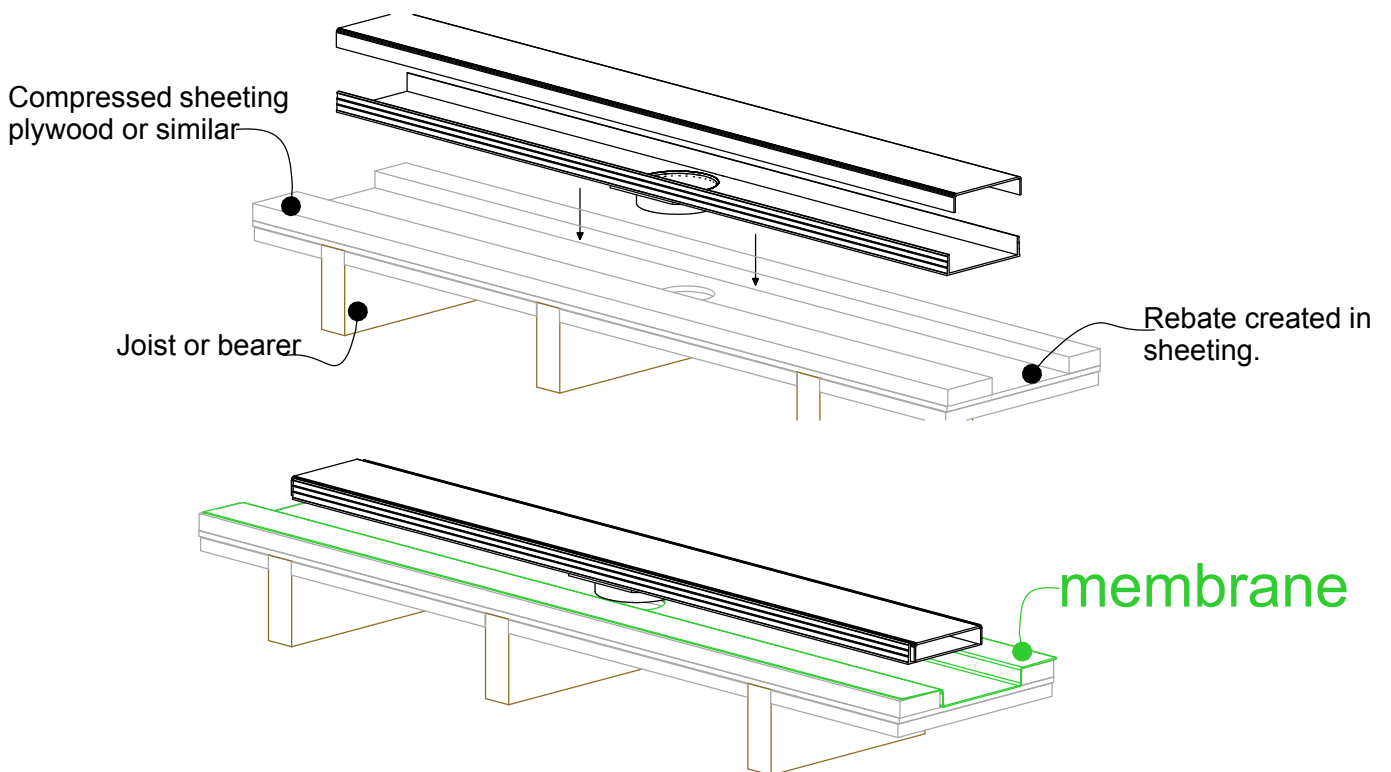
For 100ARG20, 100PSG20,  
100TRG20, 100MNDG20.



## When 100G20 is running parallel to joist/bearer



## When 100G20 is running perpendicular to joist/bearer



**NOTE: For exterior application allow for expansion of 1mm per metre by using quality suitable flexible sealant on channel joins. Use PVC solvent cement and primer on ends and outlets.**

