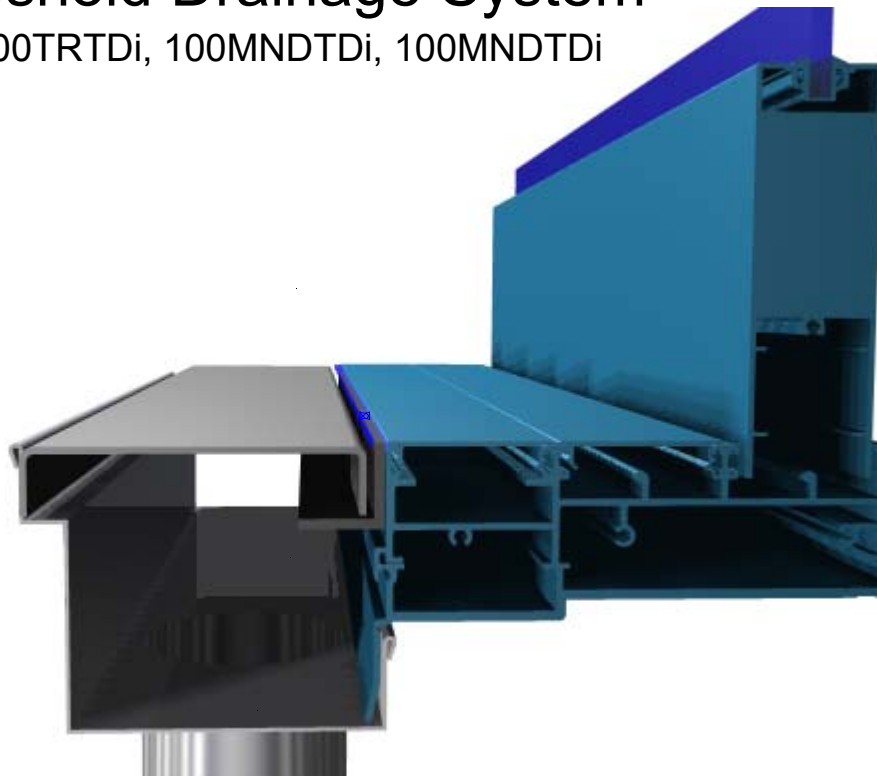


100TDi Linear threshold Drainage System

For 100ARTDi, 100TRTDi, 100MNDDi, 100MNDDi
and 100PSTDi



- * The entire door track and 100TDi are set in above and separate to waterproofing. Therefore waterproofing must be completed first.
- * Install the door track sub sill.
- * When installing the 100TDi the tray needs to be slightly deeper than the lowest part of the sub sill.
- * Standard installation sequence generally has the door track sub sill in place before the drain. Therefore the tray may need to be slightly deeper than lowest part of the sub sill to allow the drain channel to slide underneath the sub sill.

