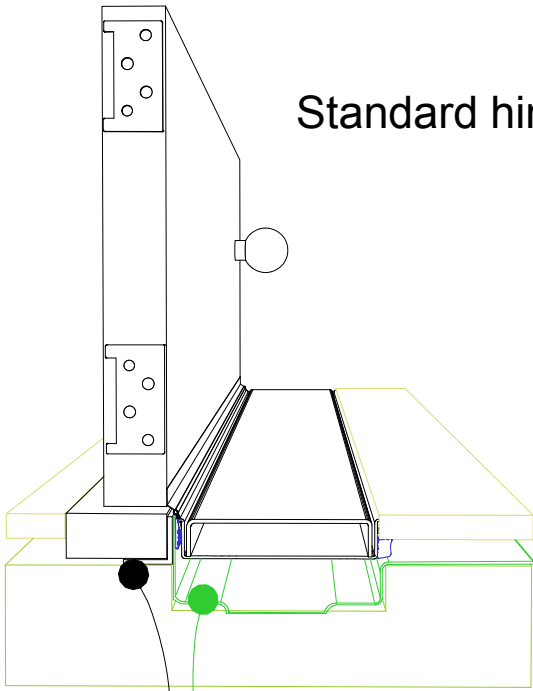


# 100i20 Threshold installation suggestion

For 100AR20, 100PS20,  
100TR20, 100MND20.



## Standard hinged door

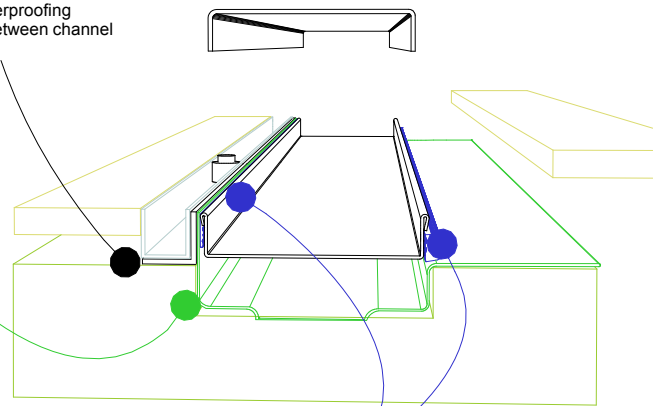


Aluminium angle  
to support waterproofing  
and junction between channel  
and door sil.

## Waterproofing

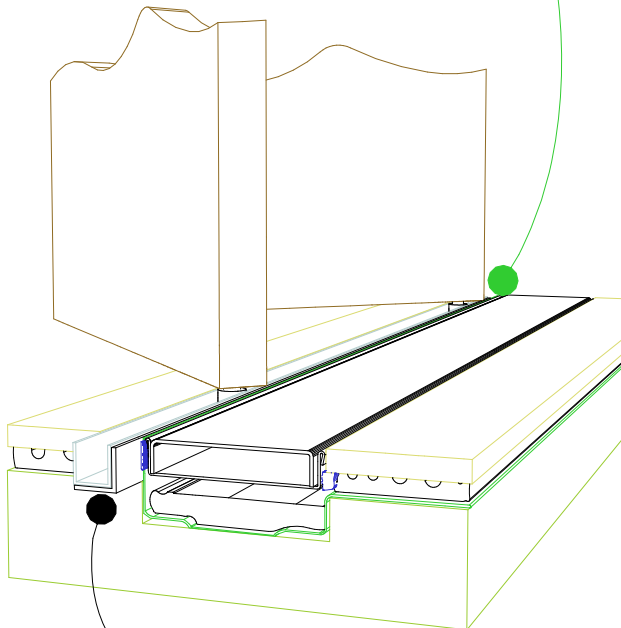
## Top hung slider

Aluminium angle  
to support waterproofing  
and junction between channel  
and door track.



For all types of threshold  
installation ensure both sides  
of the channel are sealed  
before laying tile.

## Bi-fold door



Aluminium angle  
to support waterproofing  
and junction between channel  
and door track.

NOTE, ensure weather strip  
is used on the appropriate  
side of the door to ensure  
drafts and moisture are  
minimised.

**NOTE, ALWAYS ensure the  
waterproofing is completed  
before laying the Stormtech.**

