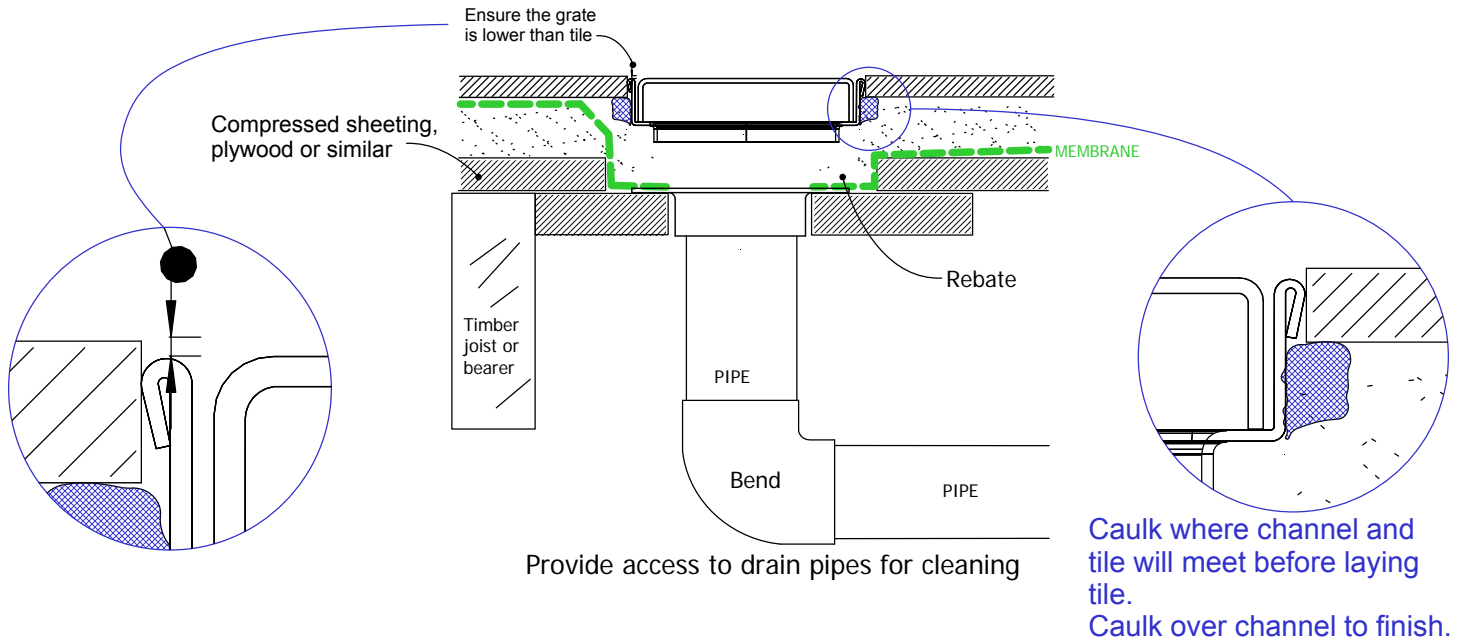


# 100i20 TIMBER FLOOR/DECK

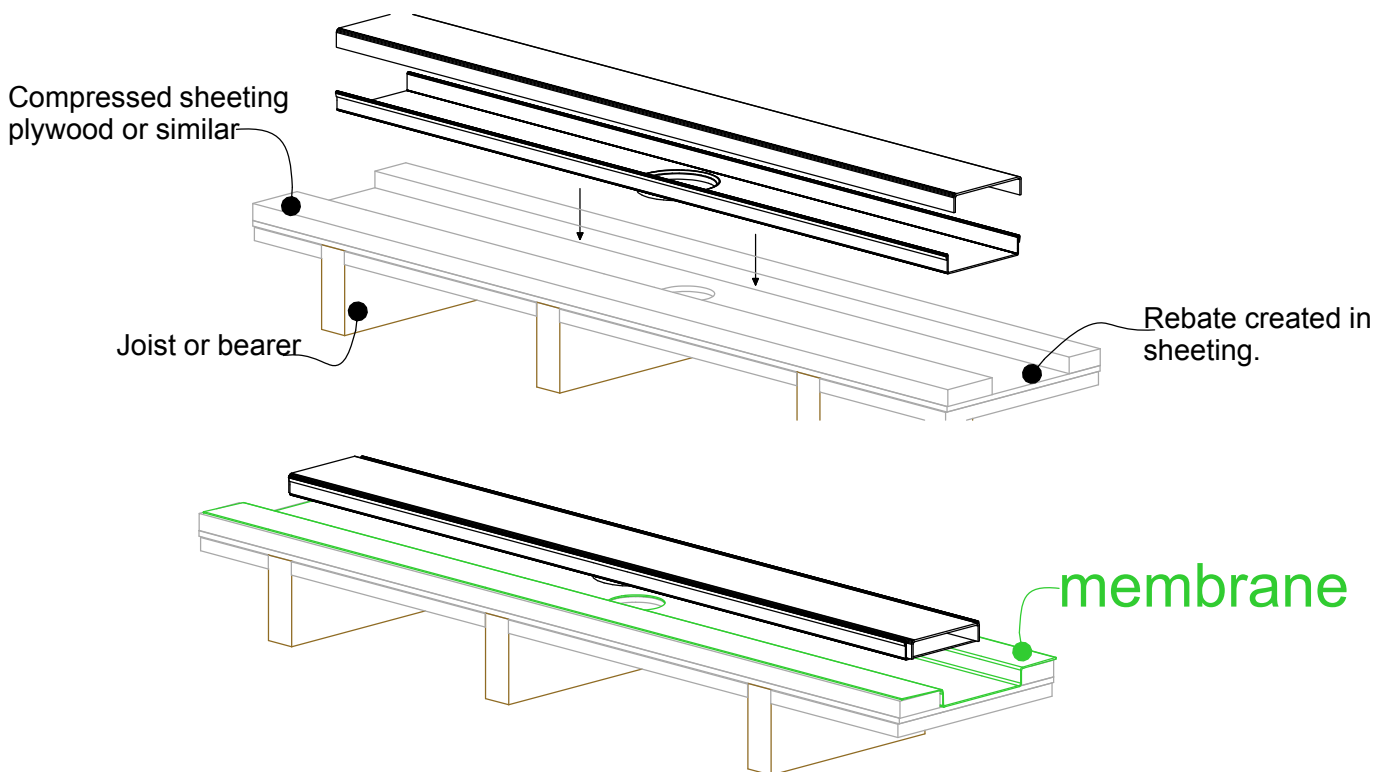
For 100AR20, 100PS20,  
100TR20, 100MND20.



## When 100i20 is running parallel to joist/bearer



## When 100i20 is running perpendicular to joist/bearer



**NOTE: For exterior application allow for expansion of 1mm per metre by using quality suitable flexible sealant on channel joins.**

