

38G40 Concrete Floor or Deck

Installation suggestion for:

38ARG40

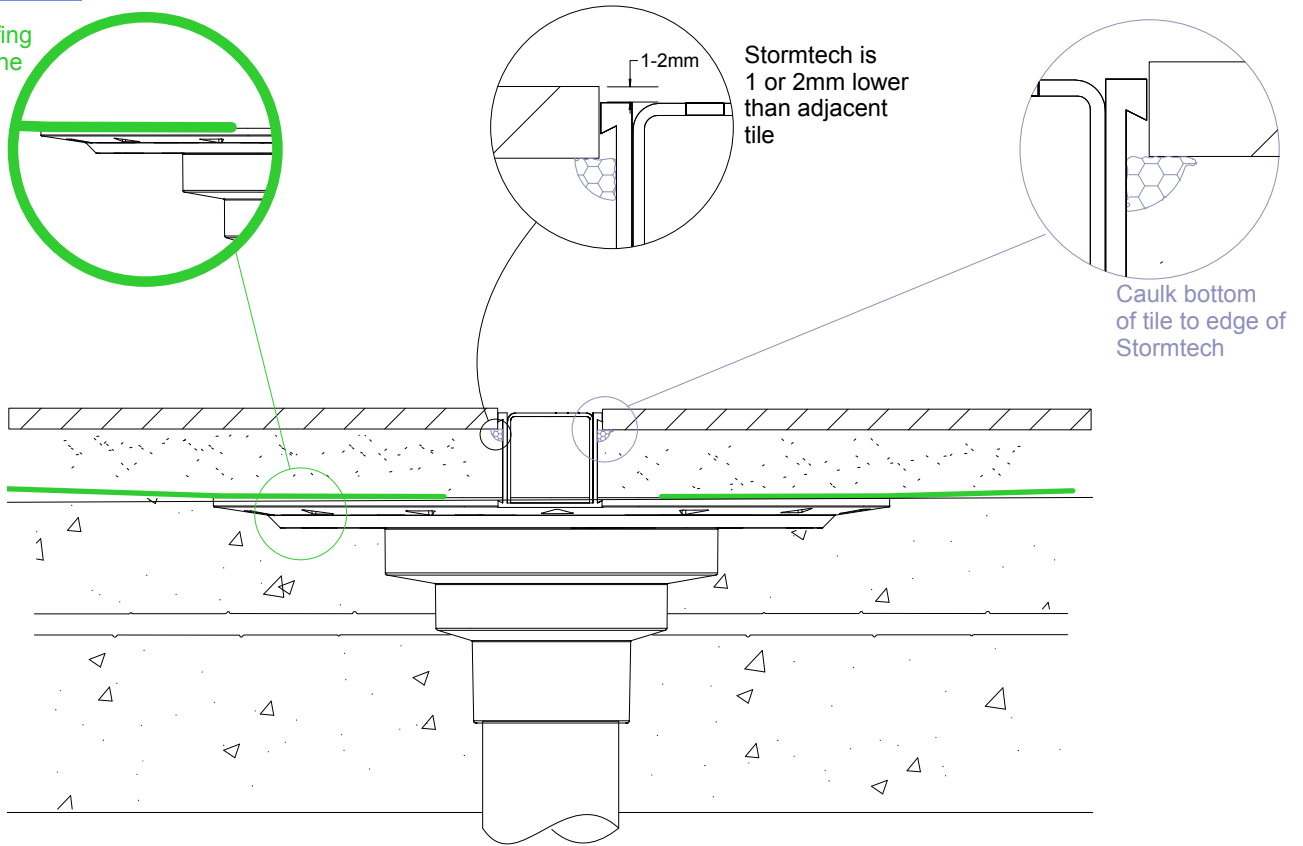
38PSG40

38PHG40

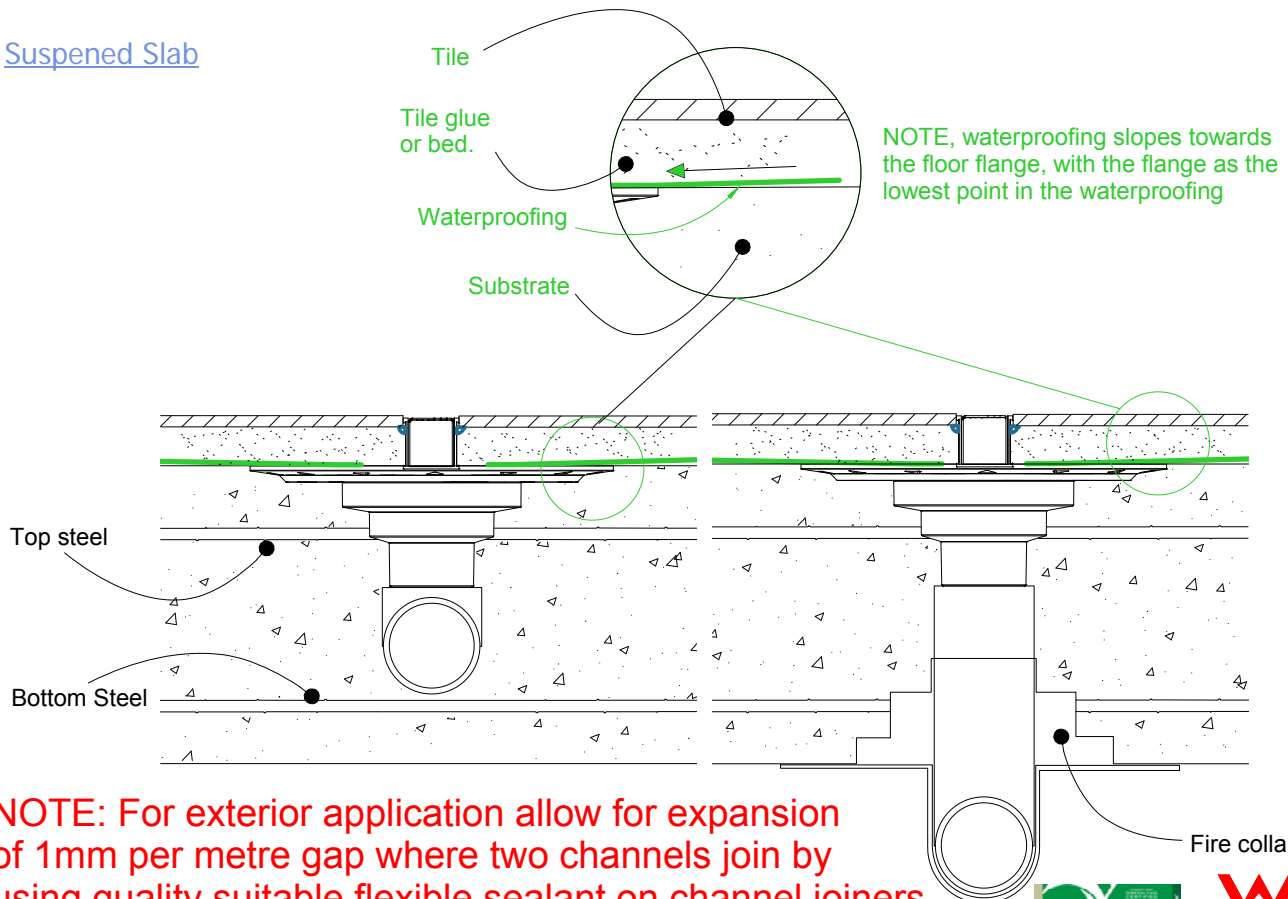


Slab on Ground

Waterproofing is fixed to the floor flange



Suspended Slab



NOTE: For exterior application allow for expansion of 1mm per metre gap where two channels join by using quality suitable flexible sealant on channel joiners. For ends and outlets use PVC solvent cement.

