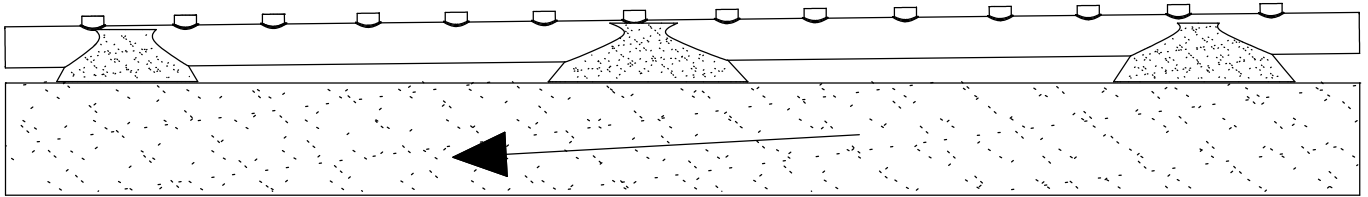


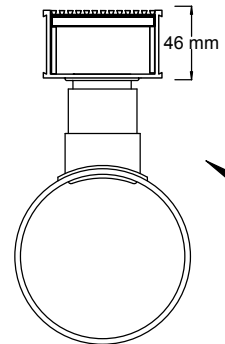
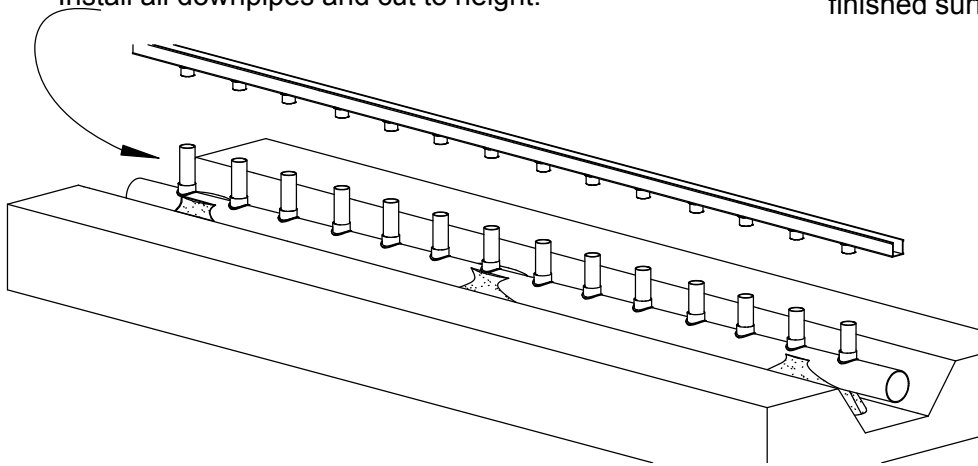
65G100 / 65G90 Slab on Ground



Lay 100mm pipe to desired fall. Bed pipe at regular intervals to set fall.

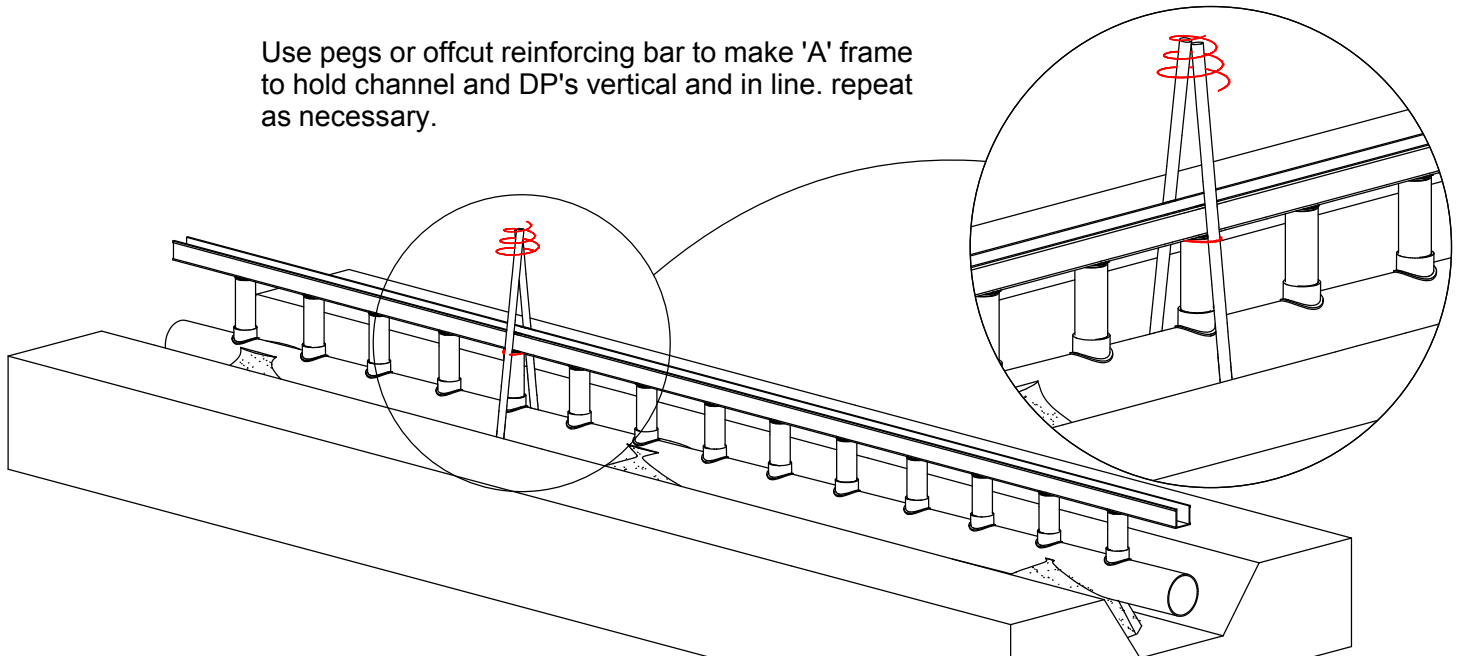
Install all downpipes and cut to height.

Allow 46mm from top of downpipe to finished surface level.



Ensure downpipes are vertical once fall is set. Adjust as necessary.

Use pegs or offcut reinforcing bar to make 'A' frame to hold channel and DP's vertical and in line. repeat as necessary.



NOTE, When pouring concrete or laying pavers against the channel, ensure the grates are in the channel and protected. If grates are not available use timber form to brace channel. This will ensure the channel remains straight and will also ensure the channel is not squashed and made narrower.

