

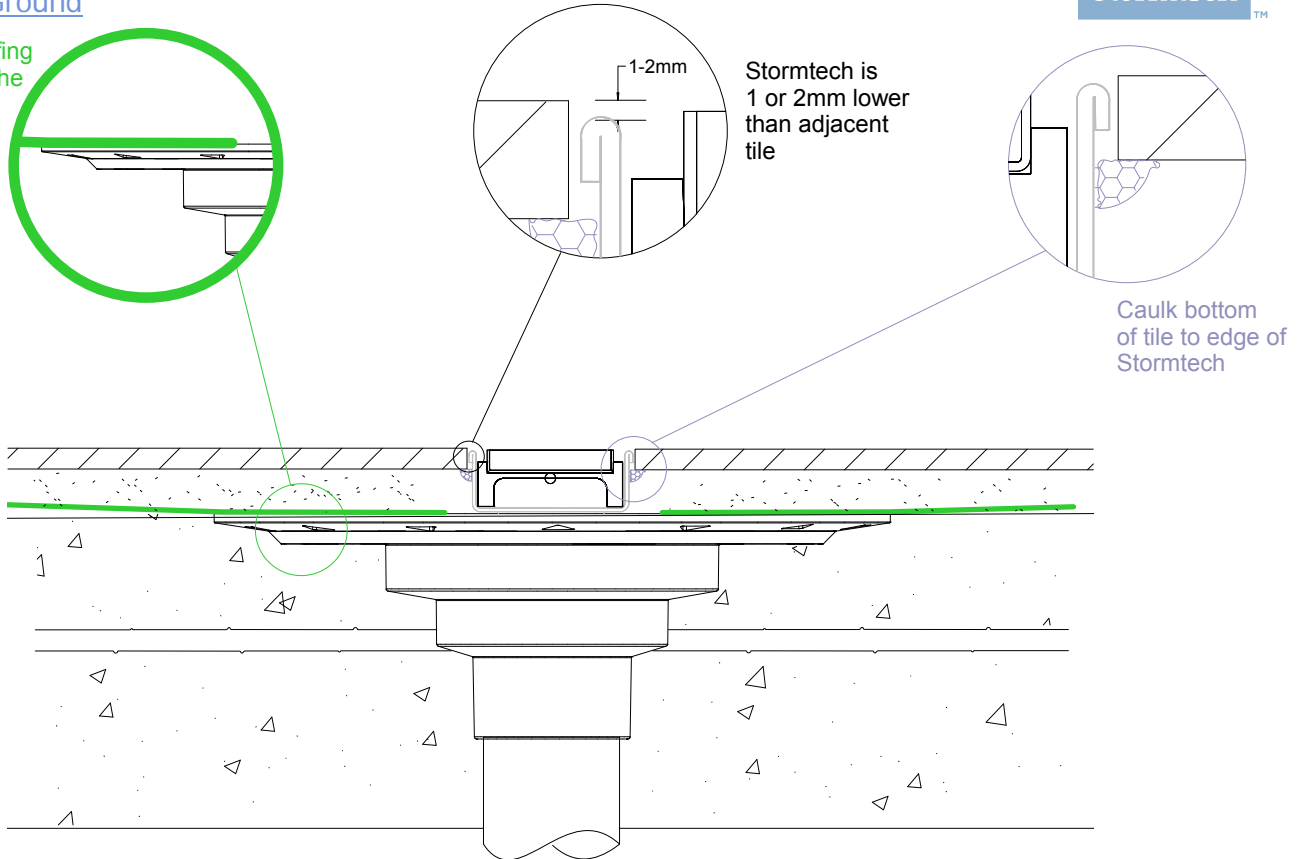
65Tii25/30 MTL & CO Concrete Floor or Deck

For 65TRTii25MTL, 65TRTiiCO25, 65Tii30MTL
65TiiCO30.



Slab on Ground

Waterproofing is fixed to the floor flange



Suspended Slab

