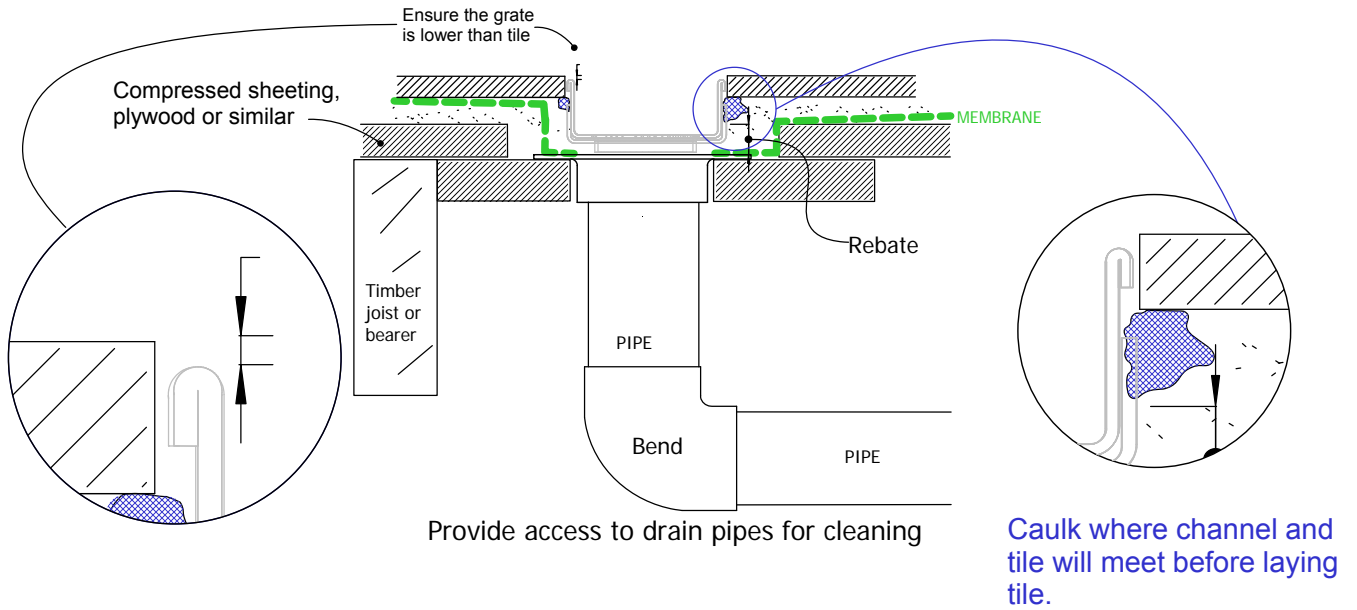


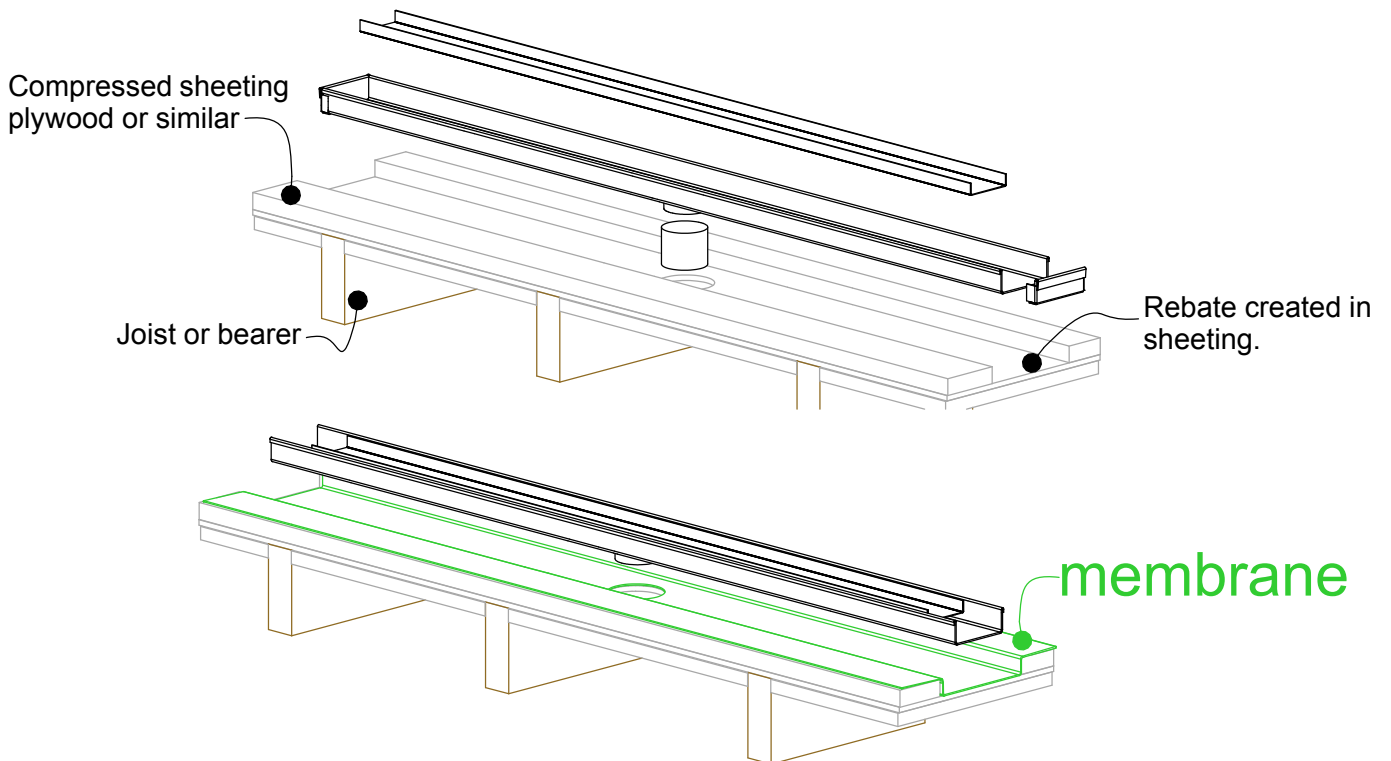
65Tii25 TIMBER FLOOR/DECK



When 65Tii25 is running parallel to joist/bearer



When 65Tii25 is running perpendicular to joist/bearer



NOTE: For exterior application allow for expansion of 1mm 3 metres by using quality suitable flexible sealant on channel joins. Use PVC solvent cement for ends and outlets.