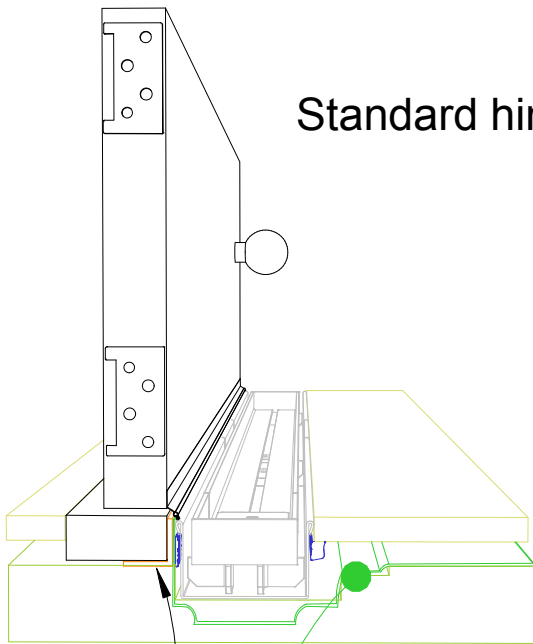


# 65Tii40 Threshold installation suggestion



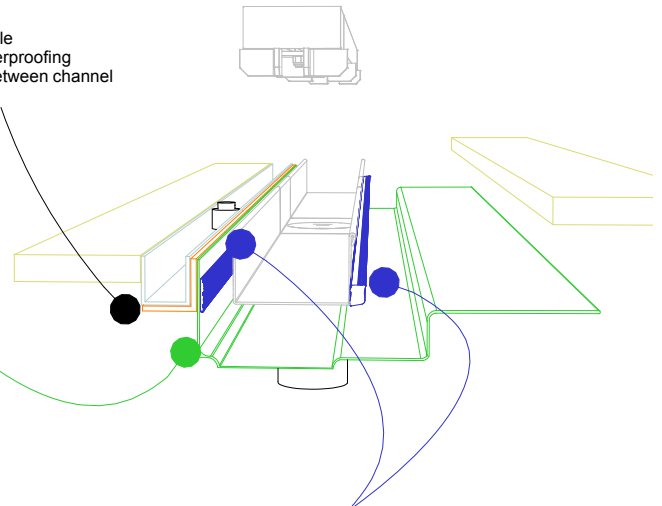
Standard hinged door

Aluminium angle to support waterproofing and junction between channel and door sil.

Top hung slider

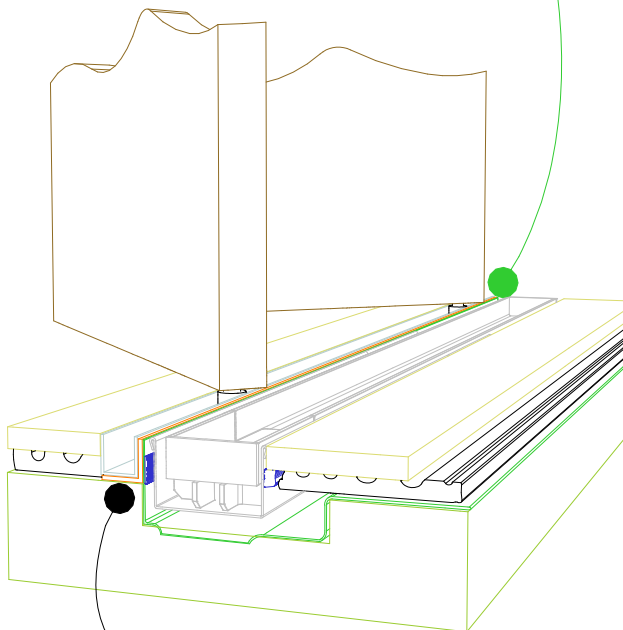
Aluminium angle to support waterproofing and junction between channel and door track.

Waterproofing



For all types of threshold installation ensure both sides of the channel are sealed before laying tile.

Bi-fold door



Aluminium angle to support waterproofing and junction between channel and door track.

**NOTE, ALWAYS ensure the waterproofing is completed before laying the Stormtech.**

NOTE, ensure weather strip is used on the appropriate side of the door to ensure drafts and moisture are minimised.

