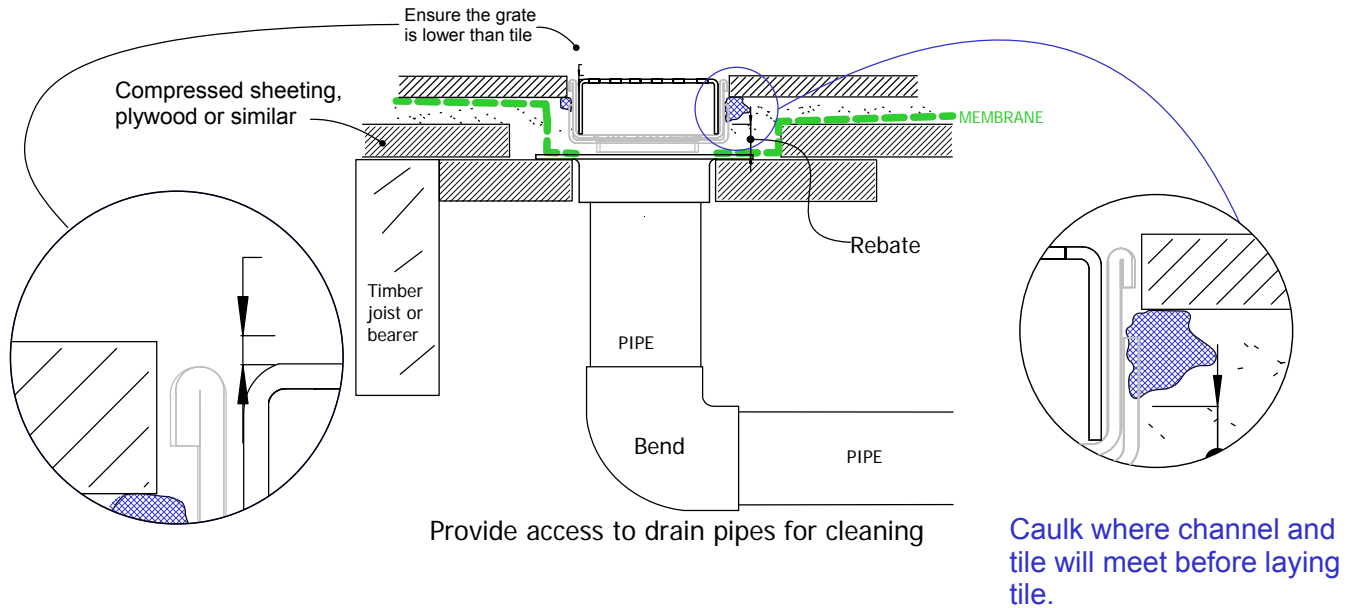


65i25 TIMBER FLOOR/DECK

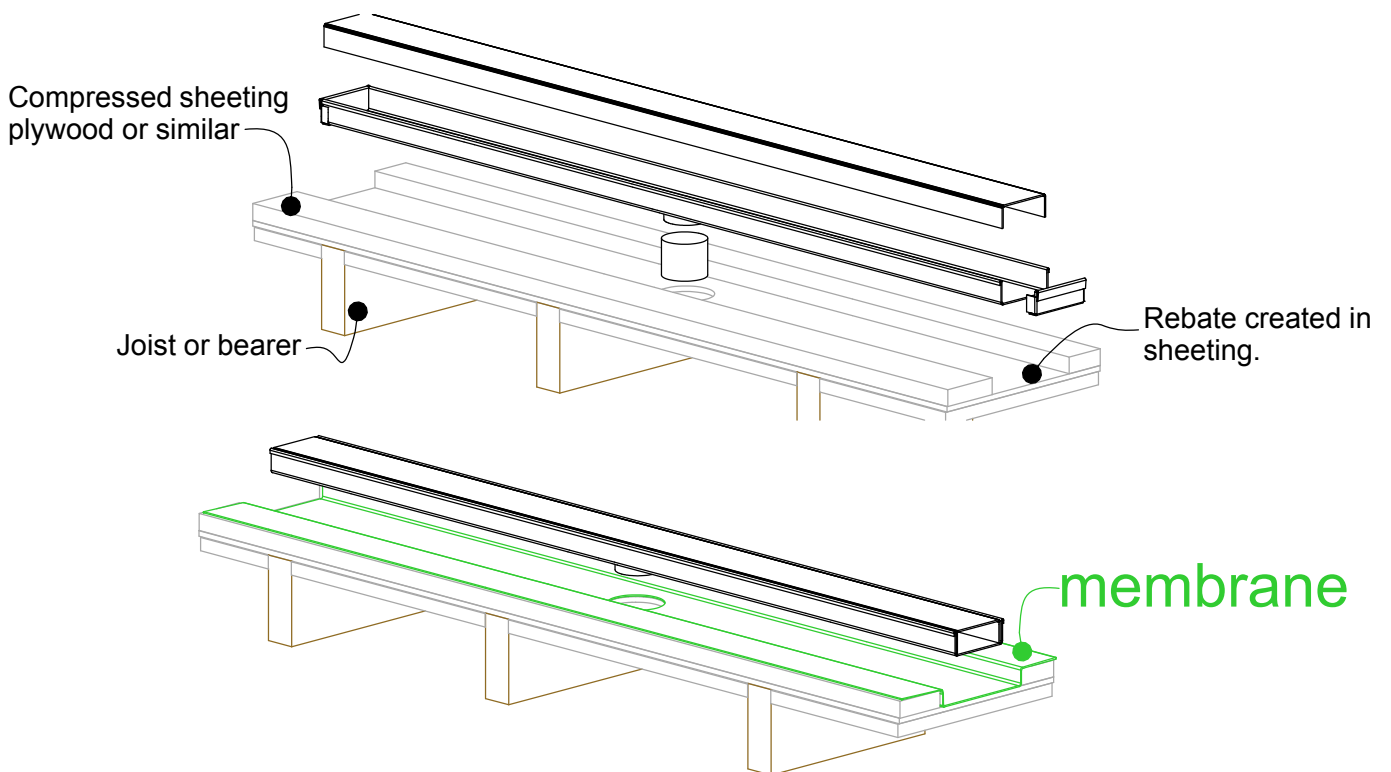
For 65ARi25, 65MNDi25, 65PHi25,
65PSi25, 65TRi25, and 65TRTi25.



When 65i25 is running parallel to joist/bearer



When 65i25 is running perpendicular to joist/bearer



NOTE: For exterior application allow for expansion of 1mm 3 metres by using quality suitable flexible sealant on channel joins. Use PVC solvent cement for ends and outlets.