

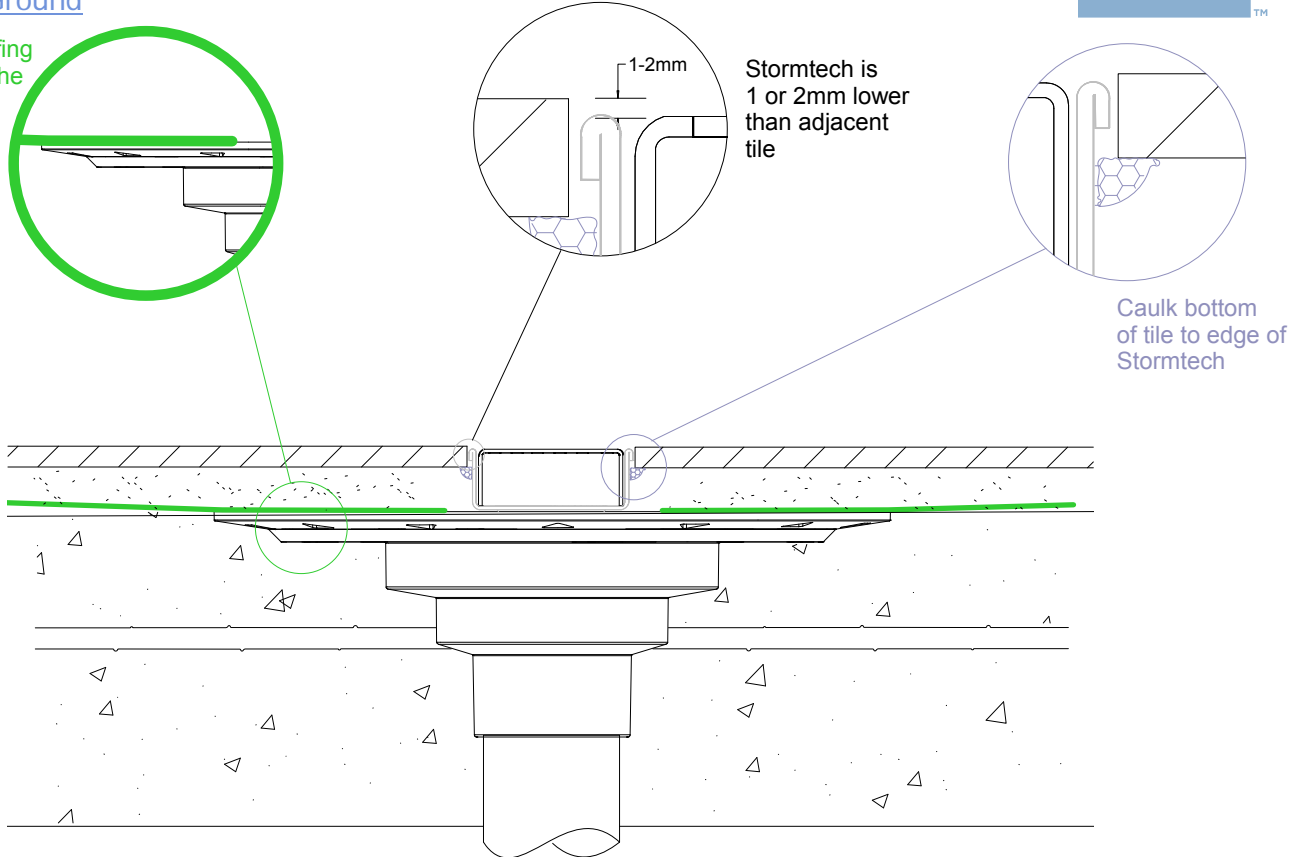
65i25MTL Concrete Floor or Deck

For 65ARi25MTL, 65ARiCO25, 65MNDi25MTL, 65MNDiCO25MTL, 65MNDiCO25, 65PHi25MTL, 65PHi25MTL, 65PSi25CO, 65PSi25MTL, 65PSiCO25, 65TRi25MTL, and 65TRiCO25.



Slab on Ground

Waterproofing is fixed to the floor flange



Suspended Slab

