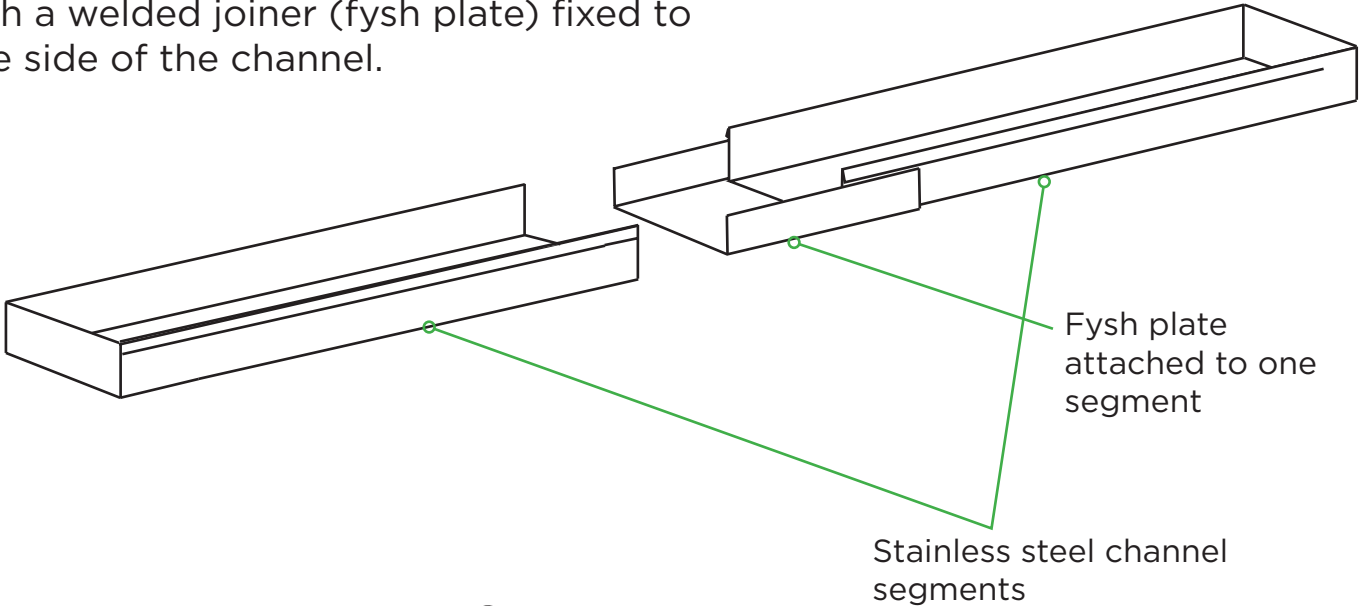




Installation of Stainless Steel MTL Channels over 3m in length

*All Grate Styles

Stainless steel channels greater than 3m in length are shipped in separate segments, with a welded joiner (fysh plate) fixed to one side of the channel.



Fysh plate attached to one segment

Stainless steel channel segments

Use Sikaflex 11FC to join channel and if necessary use a type 210, or 215 primer to prepare surface.

