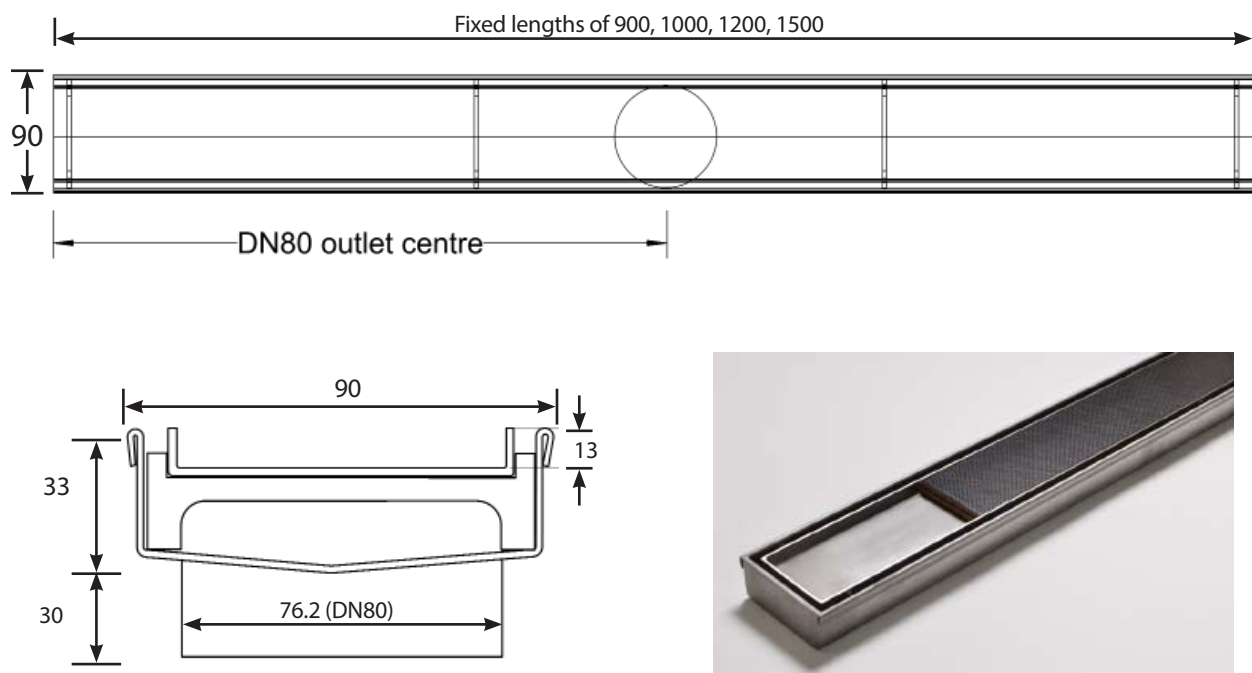


KADO

LUX SHOWER CHANNEL - TILE INSERT MADE TO LENGTH



Dimensions are nominal measurements only.

SPECIFICATIONS

Recommended use	Domestic, Hotel and Commercial
Material	316 marine grade stainless steel
Colour availability	Satin stainless
Length	Variable, longest single channel 3000mm, longest single tile insert tray 1200mm
Waste	DN80
Features	Fully finished welded ends, 2mm thick heavy wall grate, exterior grade powder coat. 'One drain for whole bathroom' compliant.
Compliance	WaterMark 21254, heel safe
Sustainability	Global GreenTag, Level A Gold

To see the complete KADO range go to www.reece.com.au/bathrooms

CLEANING RECOMMENDATIONS

We recommend the use of soapy water or approved cleaners.

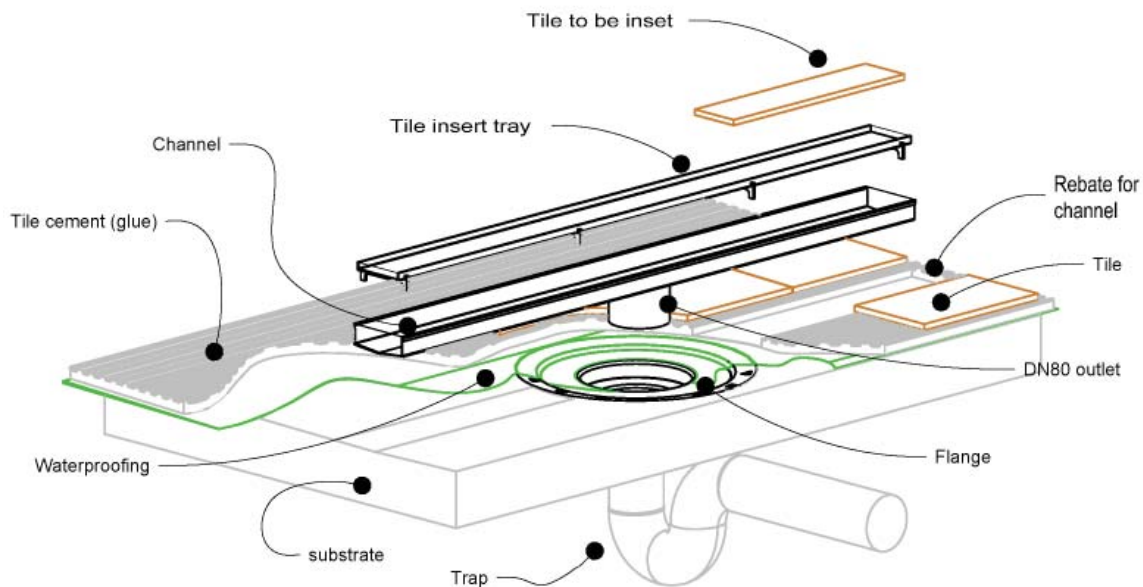
This product should not be cleaned with abrasive materials.

Damage caused by any improper treatment is not covered by the product warranty. Refer to Warranty Conditions.

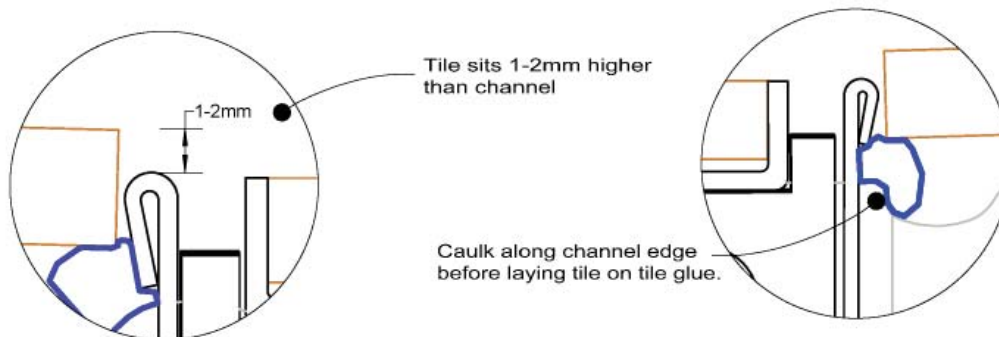
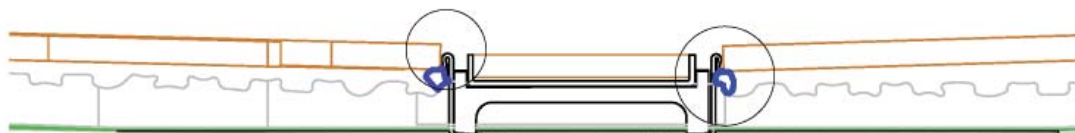
KADO

LUX SHOWER CHANNEL - TILE INSERT MADE TO LENGTH

INSTALLATION



NOTE, this method require the channel system to be ABOVE and SEPARATE from the waterproofing



- Ensure the channel is completely level
- Cut the tile 1mm narrower than the tile insert tray, i.e. 65mm.
- Ensure the inserted tile joints line up with the floor tile joints
- Using tile adhesive set the tile into the tile insert tray.



Installation and preparation of the shower or bathroom floor should be as per AS3500 and AS3740.

There are variations of acceptable installations in different jurisdictions around Australia. Check with your local regulator if you are unsure of your local requirements.

Only WaterMark certified products are allowed to be installed. Products without WaterMark certification will be deemed non compliant and removal will be required. This will likely be expensive and time consuming.