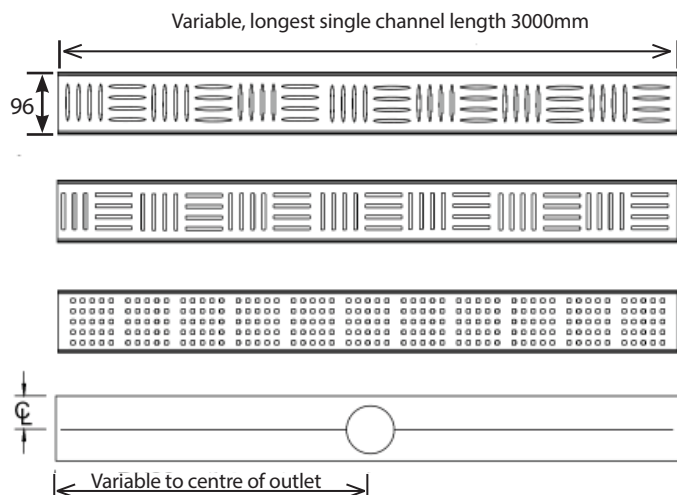


# KADO

## SHOWER CHANNEL - MADE TO LENGTH



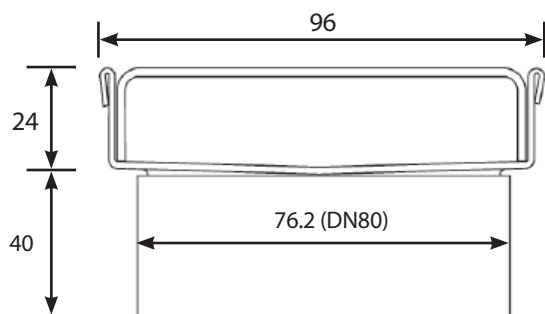
Cirque



Lux



Classic



Dimensions are nominal measurements only.

White option



Black option



### SPECIFICATIONS

<b>Recommended use</b>	Domestic, Hotel and Commercial
<b>Length</b>	Channel, variable to 3000mm single length Longest single grate length 1500mm
<b>Material</b>	316 marine grade stainless steel
<b>Colour availability</b>	Satin stainless Black (powder coat) White (powder coat)
<b>Waste</b>	DN80
<b>Features</b>	Fully finished welded ends, 2mm thick heavy wall grate, exterior grade powder coat. 'One drain for whole bathroom' compliant, easy clean grate.
<b>Compliance</b>	WaterMark 21254, heel safe, child safe
<b>Sustainability</b>	Global GreenTag, Level A Gold

To see the complete KADO range go to [www.reece.com.au/bathrooms](http://www.reece.com.au/bathrooms)

### CLEANING RECOMMENDATIONS

We recommend the use of soapy water or approved cleaners.

This product should not be cleaned with abrasive materials.

Damage caused by any improper treatment is not covered by the product warranty. Refer to Warranty Conditions.



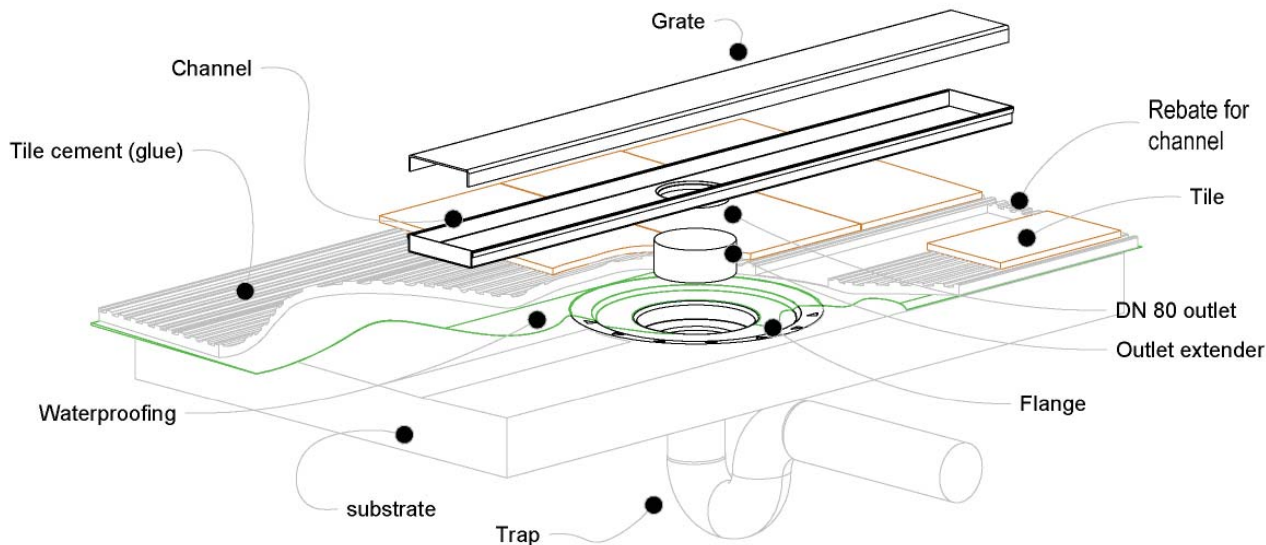
**Disclaimer:** Products in this specification manual must by regulation be installed by licensed and registered trade people. The manufacturer/distributor reserves the right to vary specifications or delete models from their range without prior notification. Dimensions are nominal measurements only. Dimensions and set-outs listed are correct at time of publication however the manufacturer distributor takes no responsibility for printing errors.

Tech Page Version 3

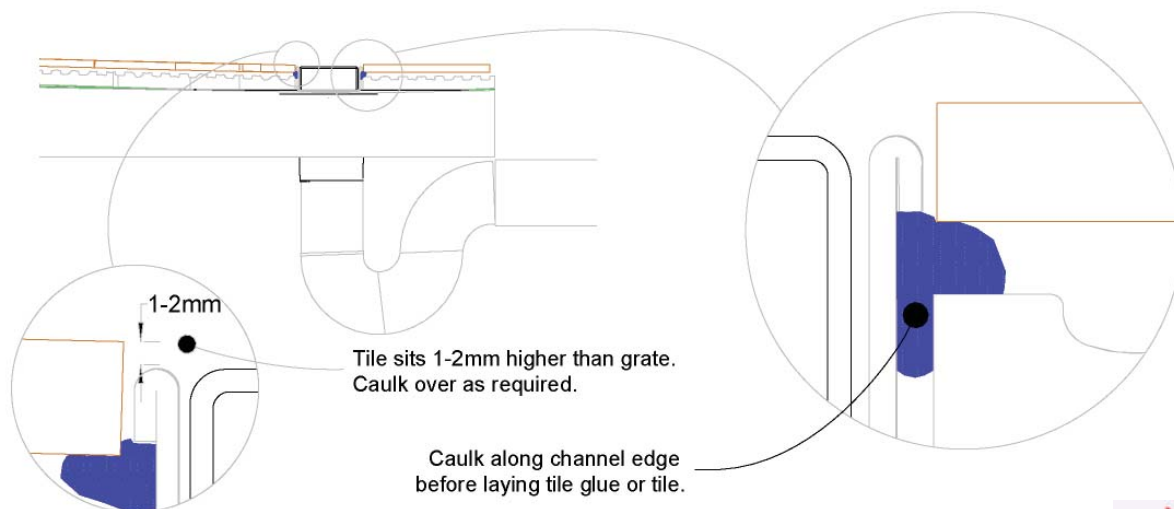


# KADO SHOWER CHANNEL - MADE TO LENGTH

## INSTALLATION



NOTE, this method requires the channel system to be ABOVE and SEPARATE from the WATERPROOFING.



Ensure the channel is completely level



Installation and preparation of the shower or bathroom floor should be as per AS3500 and AS3740.

There are variations of acceptable installations in different jurisdictions around Australia. Check with your local regulator if you are unsure of your local requirements.

Only WaterMark certified products are allowed to be installed. Products without WaterMark certification will be deemed non compliant and removal will be required. This will likely be expensive and time consuming.

Don't risk it, use a licensed plumber.™